

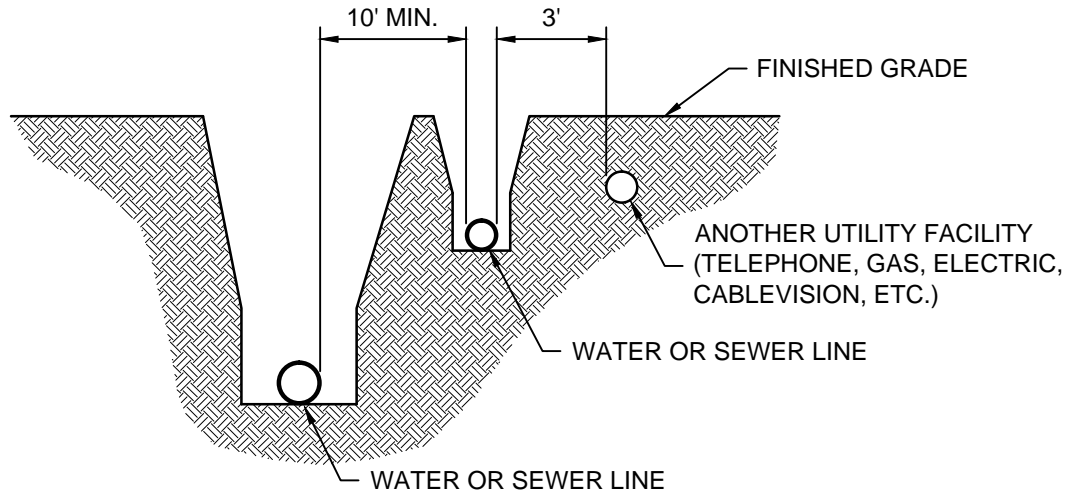


# SEWER AND WATER MAIN SEPERATION

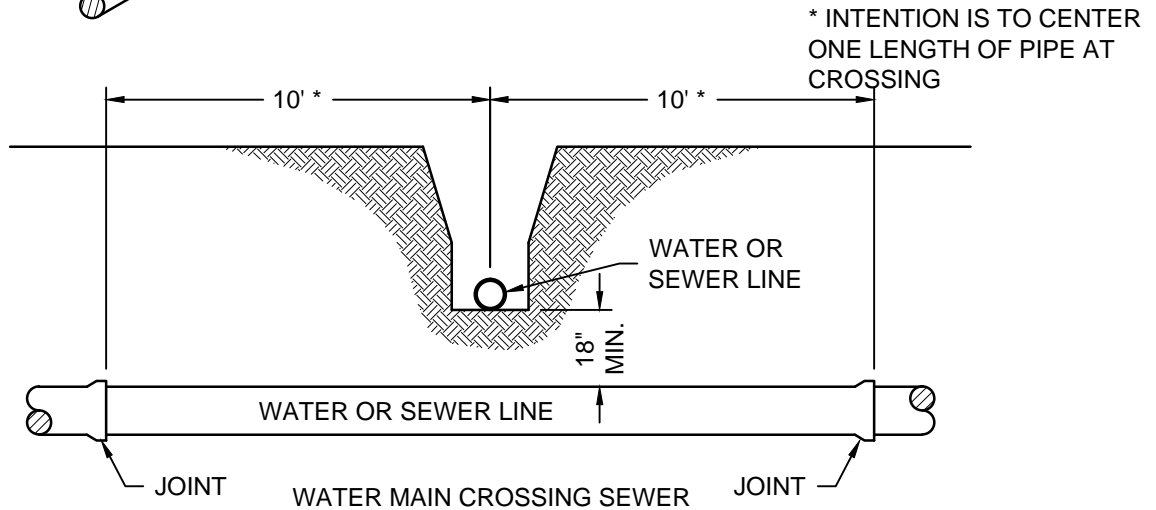
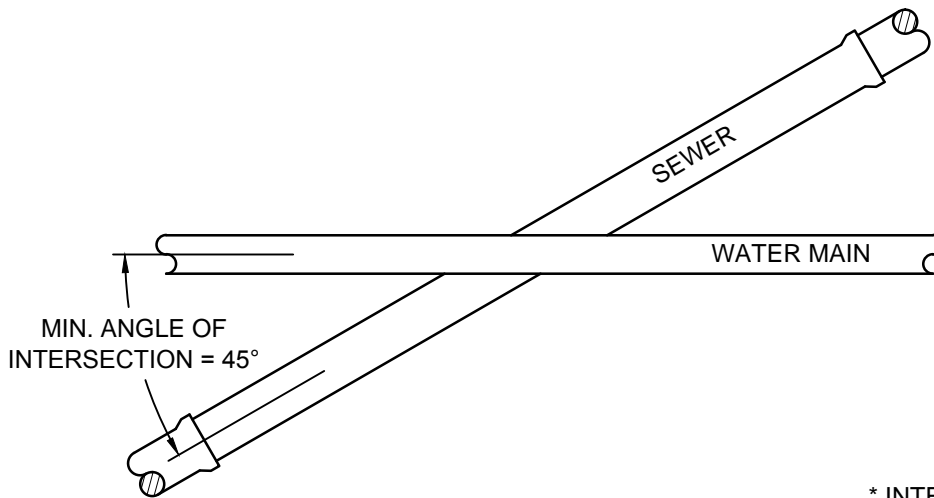
Created: January 1, 2002

Revised: October 30, 2015

Scale: N.T.S.



WATER MAIN LAYING PARALLEL TO SEWER



NOTES:

1. WATER MAIN SHALL NOT BE LOCATED IN THE SAME TRENCH AS SANITARY SEWERS.
2. SEPARATION OF 3 FT. HORIZONTAL WITH ANY UTILITY REQUIRED.
3. 5' MINIMUM DEPTH OF COVER ON WATER MAIN.
4. PREFERENCE IS FOR THE WATER MAIN TO BE LOCATED ABOVE ALL SEWERS.