



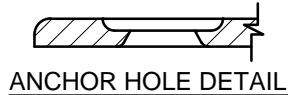
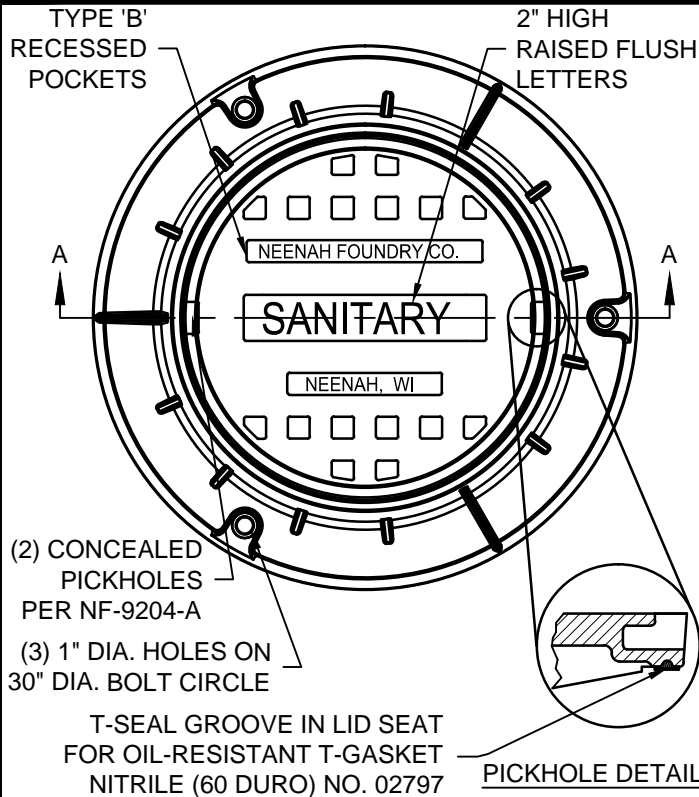
24" SANITARY CASTING

Created: January 1, 2002

Revised: June 12, 2014

Scale: N.T.S.

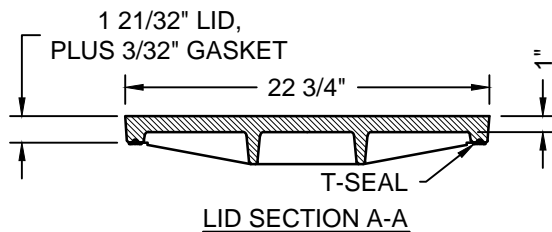
Approved: May 16, 2012



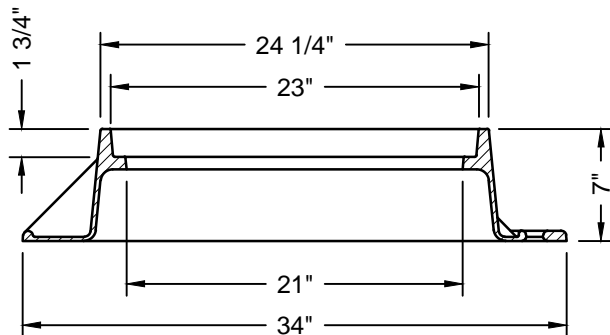
NOTES:

1. ASTM A48-83 CLASS NO. 35
2. ALL BEARING SURFACES TO BE MACHINED

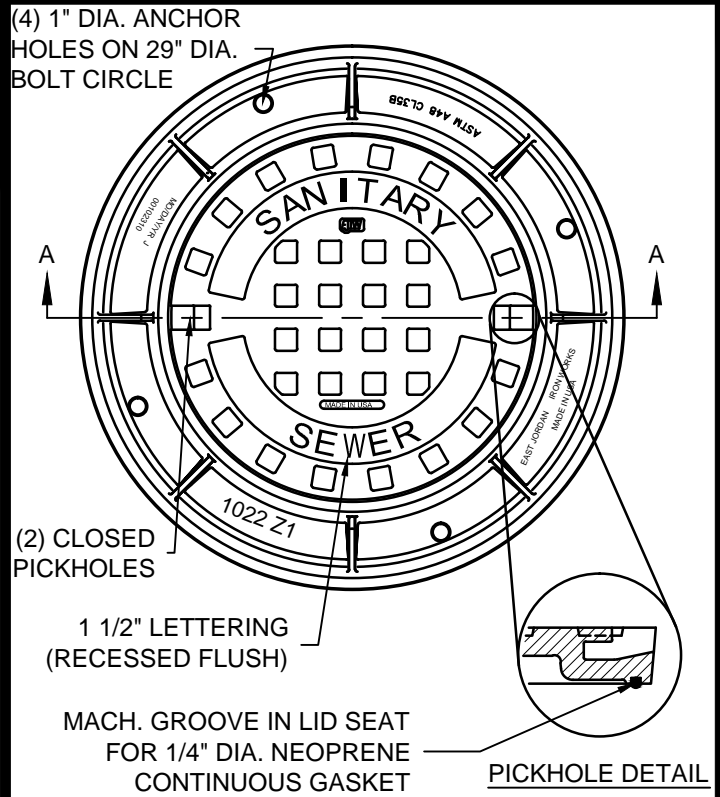
FRAME AND SOLID LID
NEENAH R-1772 W/"SANITARY" LETTERED,
SOLID LID (SANITARY APPLICATION ONLY)



LID SECTION A-A



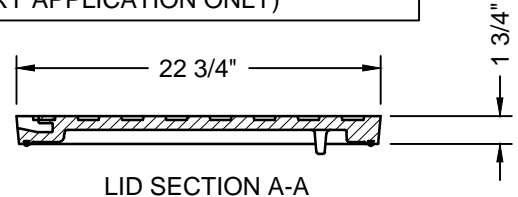
FRAME SECTION A-A



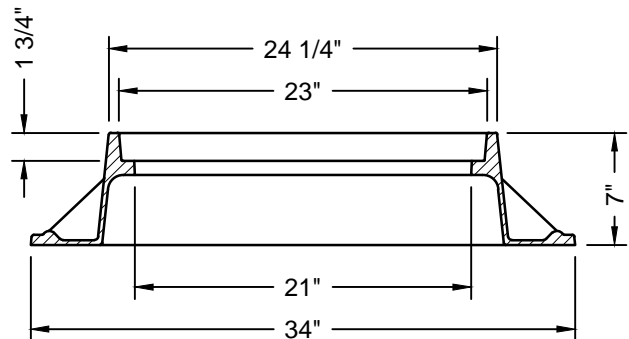
NOTES:

1. ASTM A48-83 CLASS NO. 35
2. ALL BEARING SURFACES TO BE MACHINED

FRAME AND SOLID LID
EAST JORDAN 1022Z1 W/1020AHDGS
"SANITARY SEWER" LETTERED, SOLID LID
(SANITARY APPLICATION ONLY)



LID SECTION A-A



FRAME SECTION A-A