



# 2' X 2' CURB AND GUTTER CASTING

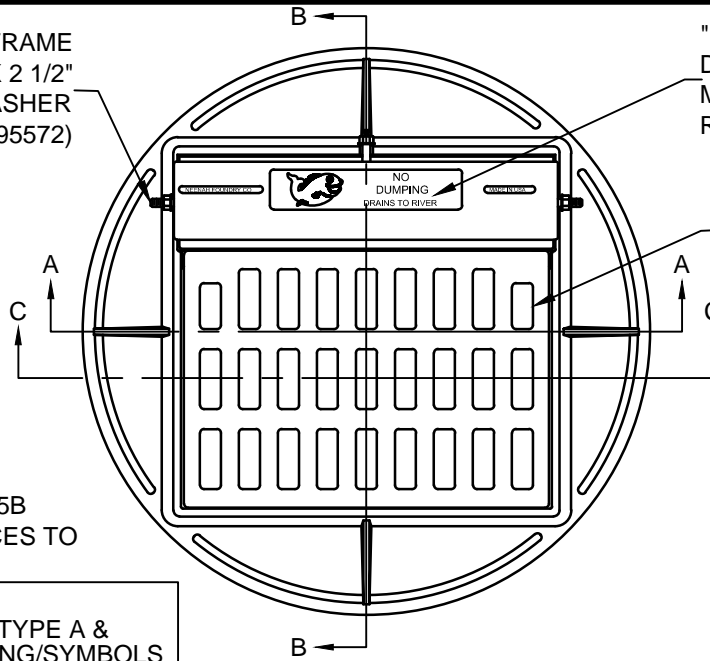
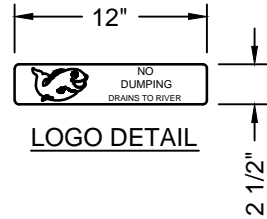
Created: January 1, 2002

Revised: October 28, 2015

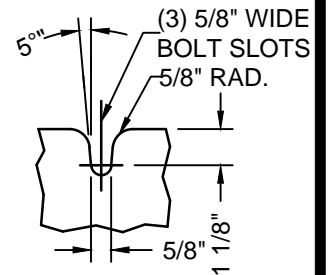
Scale: N.T.S.

BOLT CURB BOX TO FRAME  
W/ (3) 1/2"-13 X 2 1/2"  
STEEL HEX BOLT, FLAT WASHER  
& STL. NUT (KIT NO. 95572)

"DUMP NO WASTE!  
DRAINS TO RIVER"  
MESSAGE WITH FISH IMAGE  
REQUIRED ON ALL CASTINGS



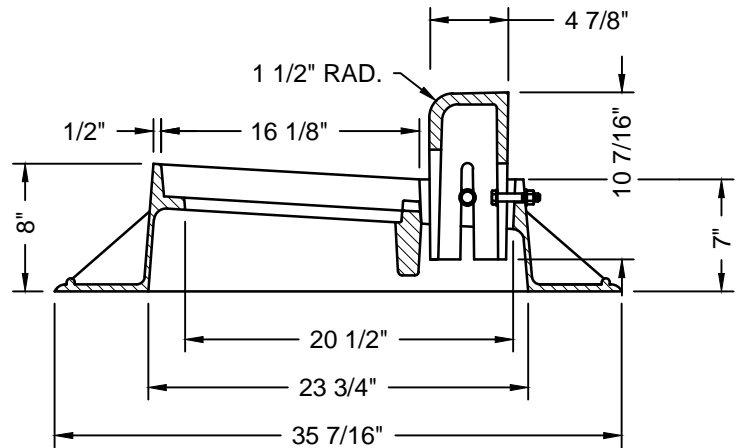
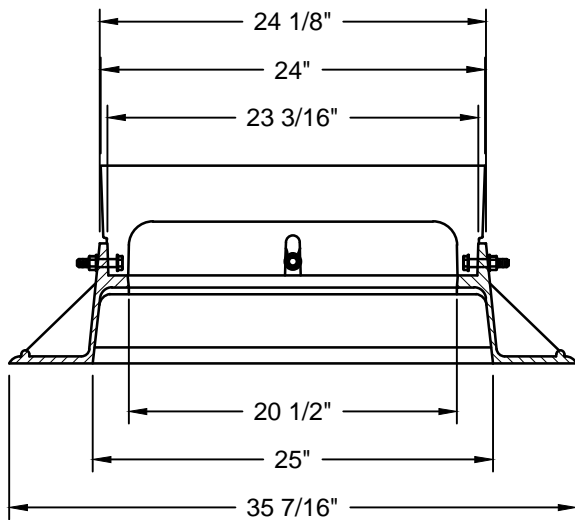
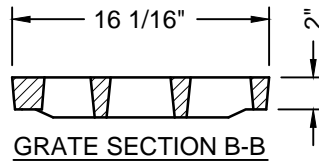
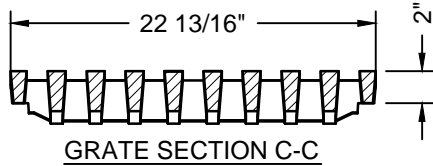
TYPE A GRATE  
144 SQ. IN.  
OPEN AREA



**NOTES:**

1. ASTM A48-83 CLASS 35B
2. ALL BEARING SURFACES TO BE MACHINED

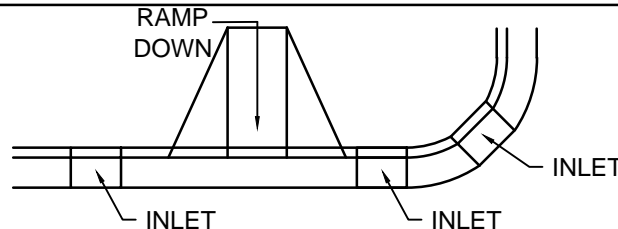
FRAME AND GRATE  
NEENAH R-3010 W/GRATE TYPE A &  
ENVIRONMENTAL LETTERING/SYMBOLS



FRAME SECTION A-A

FRAME SECTION B-B

INLET SHALL NOT BE PLACED  
AT ENTRANCE OF ANY ADA  
CERTIFIED RAMPS.



SMOOTH TRANSITION TO BE  
MAINTAINED WHEN PLACING  
INLET WITHIN CURB RADIUS.