



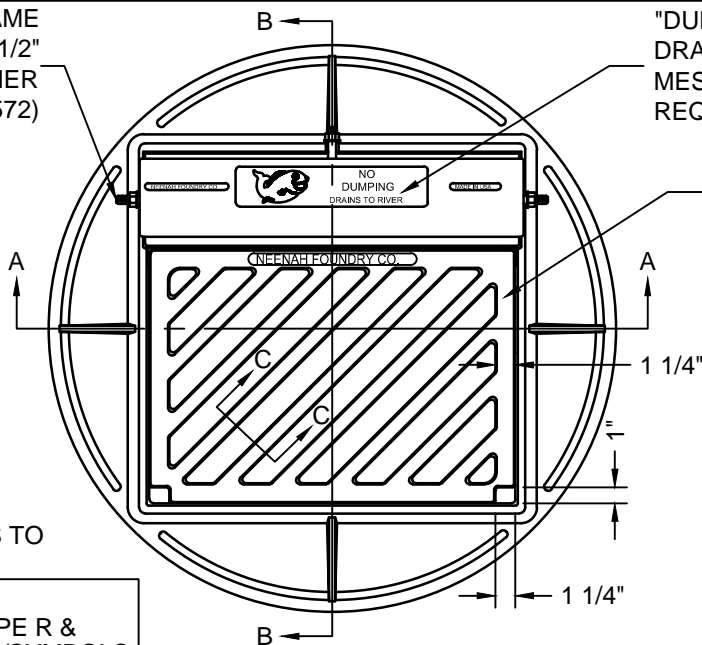
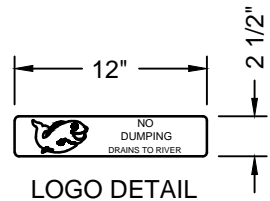
2' X 2' CURB AND GUTTER CASTING

Created: January 1, 2002

Revised: October 28, 2015

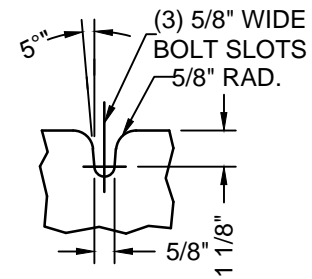
Scale: N.T.S.

BOLT CURB BOX TO FRAME
W/ (3) 1/2"-13 X 2 1/2"
STEEL HEX BOLT, FLAT WASHER
& STL. NUT (KIT NO. 95572)



"DUMP NO WASTE!
DRAINS TO RIVER"
MESSAGE WITH FISH IMAGE
REQUIRED ON ALL CASTINGS

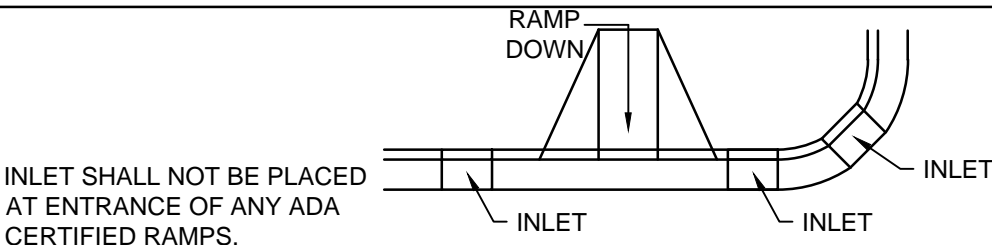
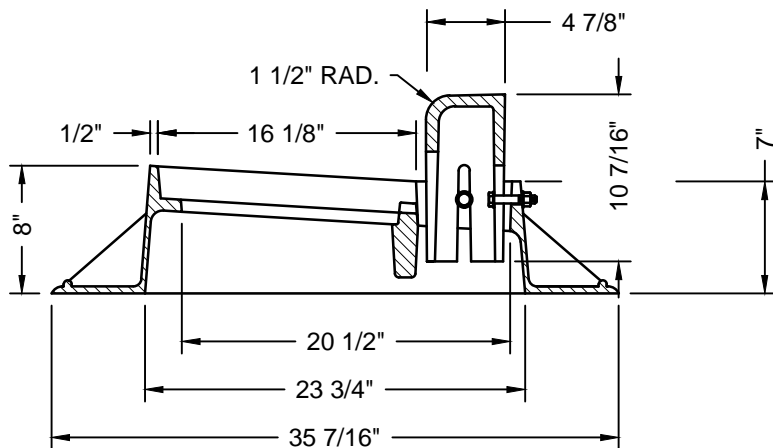
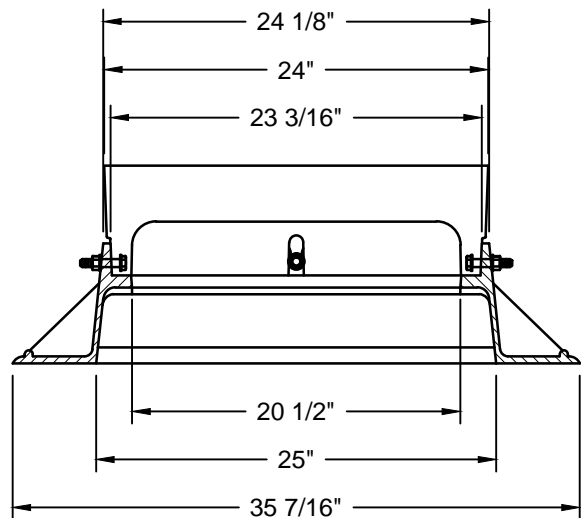
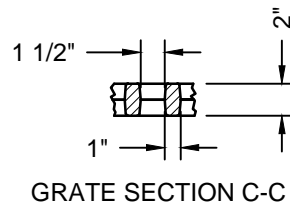
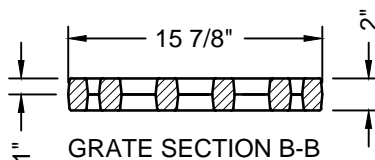
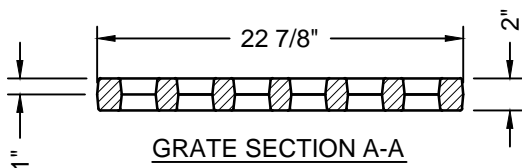
TYPE R GRATE
APPROX. 160 SQ. IN.
OPEN AREA



NOTES:

1. ASTM A48-83 CLASS 35B
2. ALL BEARING SURFACES TO BE MACHINED

FRAME AND GRATE
NEENAH R-3010 W/GRATE TYPE R &
ENVIRONMENTAL LETTERING/SYMBOLS



INLET SHALL NOT BE PLACED
AT ENTRANCE OF ANY ADA
CERTIFIED RAMPS.

SMOOTH TRANSITION TO BE
MAINTAINED WHEN PLACING
INLET WITHIN CURB RADIUS.