



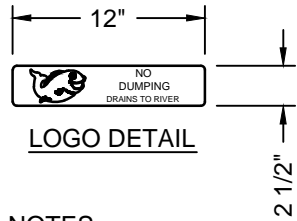
# 2' X 2' CURB AND GUTTER CASTING

Created: July 14, 2010

Revised: October 30, 2015

Scale: N.T.S.

**BOLT CURB BOX TO FRAME**  
W/ (3) 1/2"-13 X 2 1/2"  
STEEL HEX BOLT, FLAT WASHER  
& STL. NUT (KIT NO. 95572)



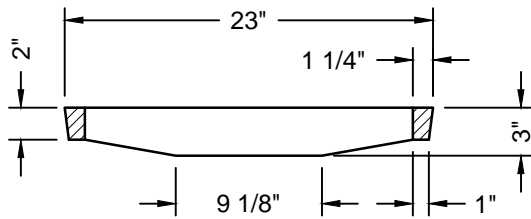
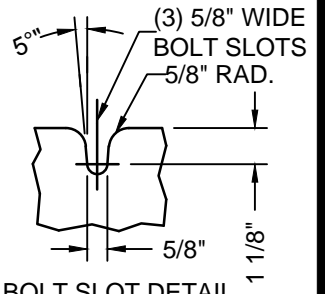
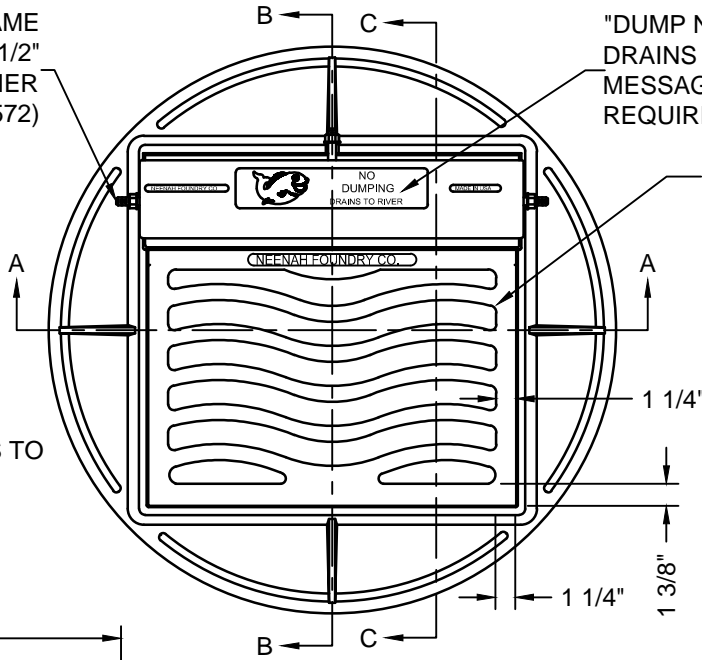
LOGO DETAIL

**NOTES:**

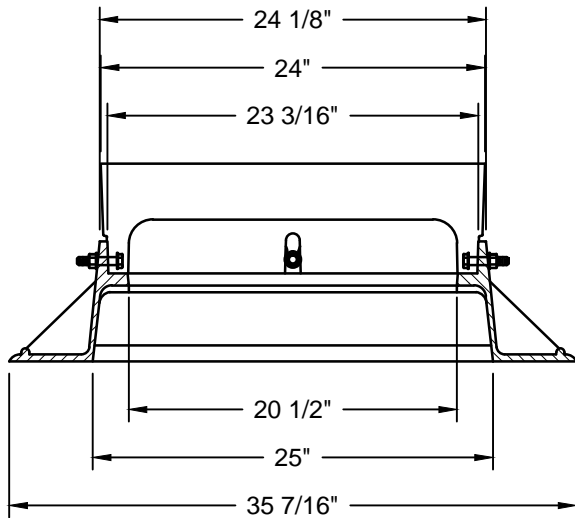
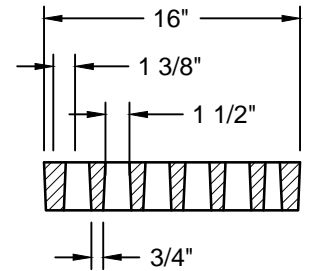
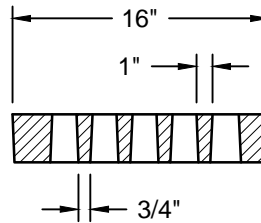
1. ASTM A48-83 CLASS 35B
2. ALL BEARING SURFACES TO BE MACHINED

**FRAME AND GRATE**

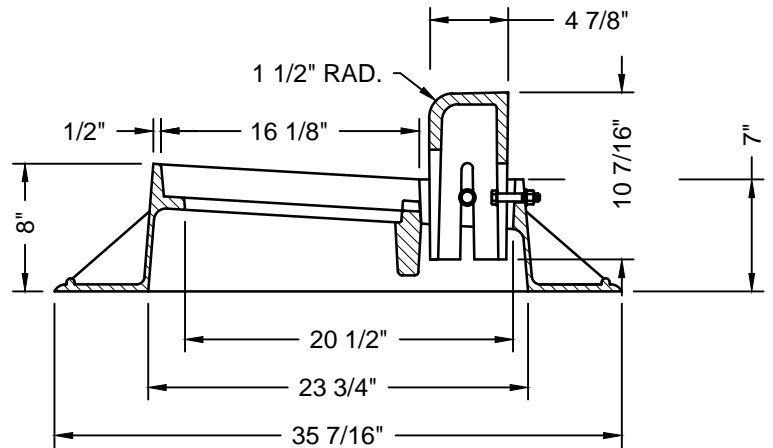
NEENAH R-3010 W/GRATE  
TYPE S & ENVIRONMENTAL  
LETTERING/SYMBOLS



GRATE SECTION A-A

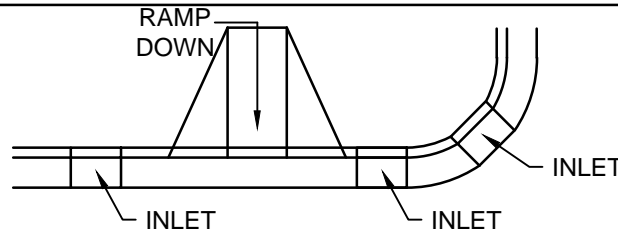


FRAME SECTION A-A



FRAME SECTION B-B

INLET SHALL NOT BE PLACED AT ENTRANCE OF ANY ADA CERTIFIED RAMPS.



SMOOTH TRANSITION TO BE MAINTAINED WHEN PLACING INLET WITHIN CURB RADIUS.