

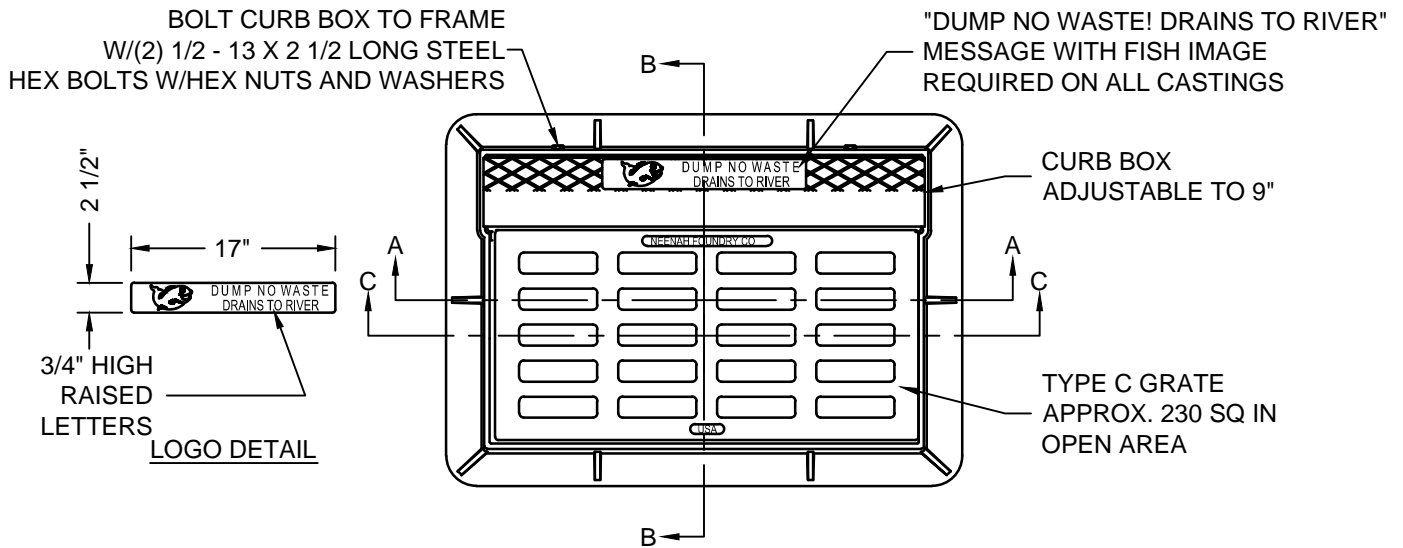


# 2' X 3' CURB AND GUTTER CASTING

Created: July 22, 2010

Revised: October 28, 2015

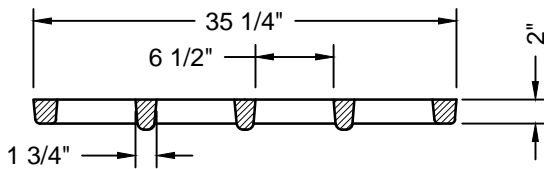
Scale: N.T.S.



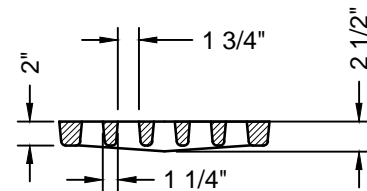
**FRAME AND GRATE**  
NEENAH R-3067 W/GRATE TYPE C  
& ENVIRONMENTAL LETTERING/SYMBOLS

**NOTES:**

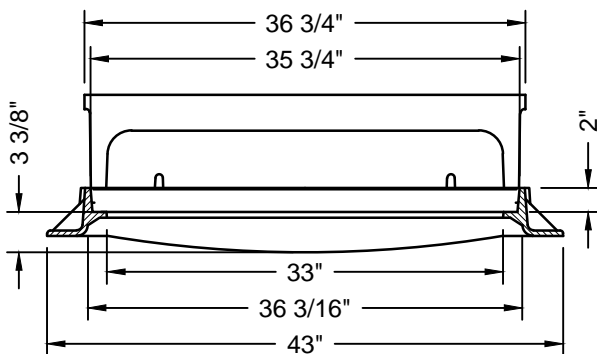
1. ASTM A48-83 CLASS 35B
2. ALL BEARING SURFACES TO BE MACHINED



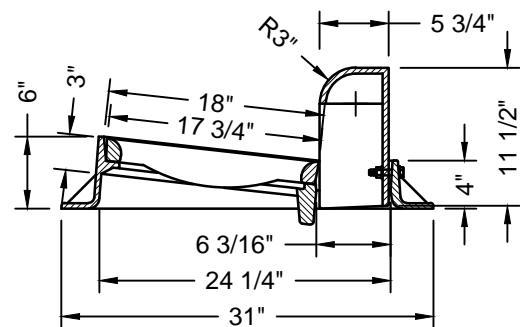
GRATE SECTION C-C



GRATE SECTION B-B

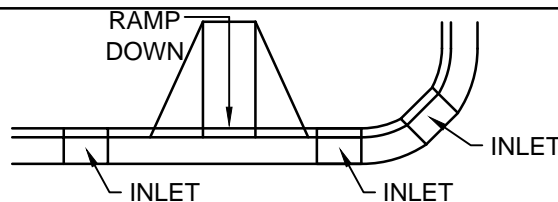


FRAME SECTION A-A



FRAME SECTION B-B

INLET SHALL NOT BE PLACED AT ENTRANCE OF ANY ADA CERTIFIED RAMPS.



SMOOTH TRANSITION TO BE MAINTAINED WHEN PLACING INLET WITHIN CURB RADIUS.