



# 2' X 3' CURB AND GUTTER CASTING

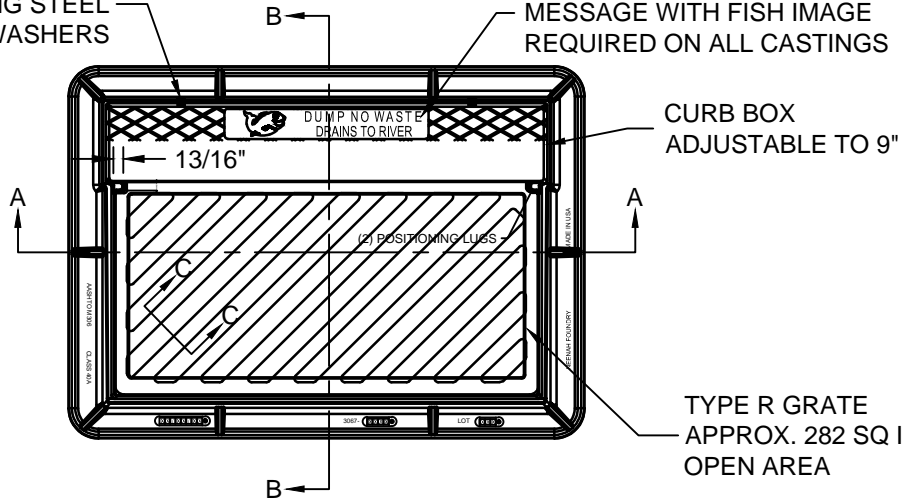
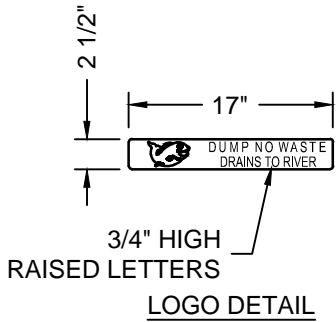
Created: July 26, 2010

Revised: January 24, 2017

Scale: N.T.S.

BOLT CURB BOX TO FRAME  
W/(2) 1/2 - 13 X 2 1/2 LONG STEEL  
HEX BOLTS W/HEX NUTS AND WASHERS

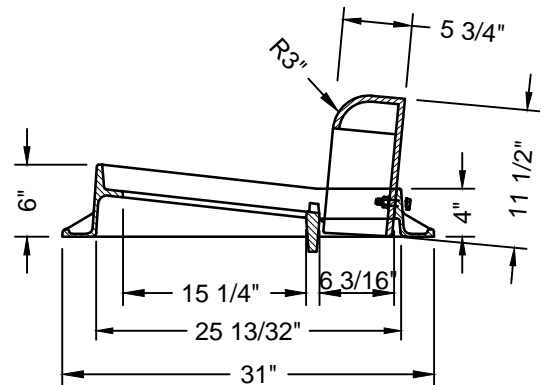
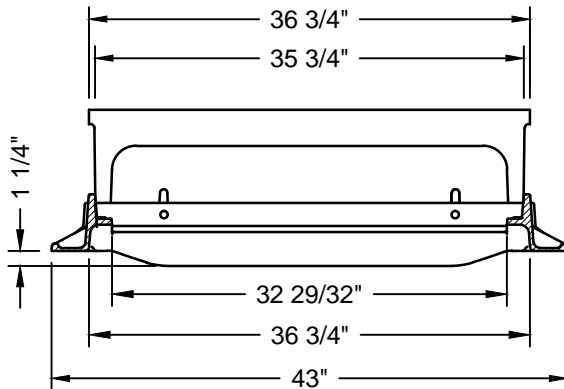
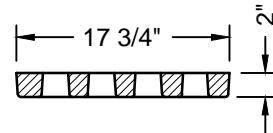
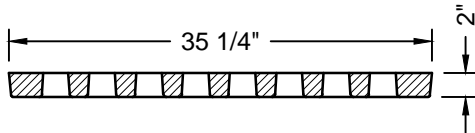
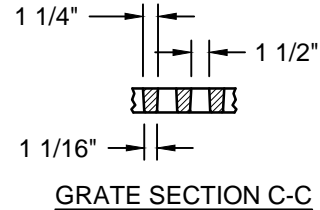
"DUMP NO WASTE! DRAINS TO RIVER"  
MESSAGE WITH FISH IMAGE  
REQUIRED ON ALL CASTINGS



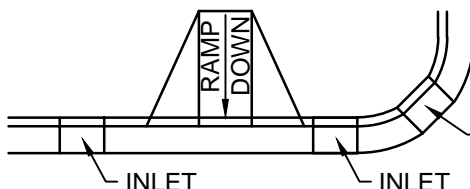
FRAME AND GRATE  
NEENAH R-3067 W/GRATE TYPE R  
& ENVIRONMENTAL LETTERING/SYMBOLS

**NOTES:**

1. ASTM A48-83 CLASS 35B
2. ALL BEARING SURFACES TO BE MACHINED



INLET SHALL NOT BE PLACED  
AT ENTRANCE OF ANY ADA  
CERTIFIED RAMPS.



INLET SMOOTH TRANSITION TO BE  
MAINTAINED WHEN PLACING  
INLET WITHIN CURB RADIUS.