



# 2' X 3' CURB AND GUTTER CASTING

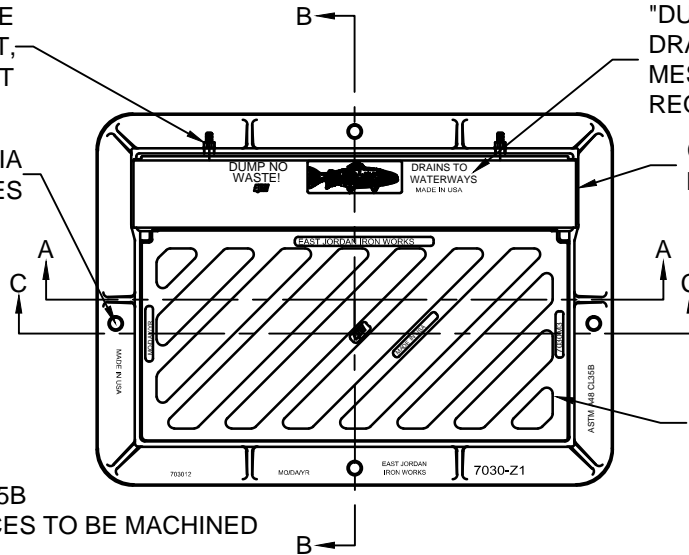
Created: July 20, 2010

Revised: October 28, 2015

Scale: N.T.S.

BOLT CURB BOX TO FRAME  
W/ (2) 5/8"-13 BOLT,  
FLAT WASHER & NUT

(4) 1" DIA  
HANDLING HOLES



"DUMP NO WASTE!  
DRAINS TO WATERWAYS!"  
MESSAGE WITH FISH IMAGE  
REQUIRED ON ALL CASTINGS

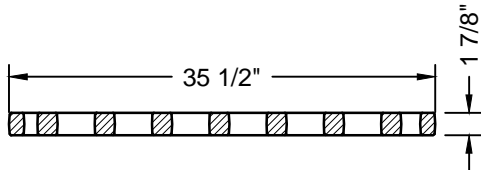
CURB ADJUSTMENT  
FROM 6" TO 10"

GRATE TYPE M3  
APPROX. 315 SQ IN  
OPEN AREA

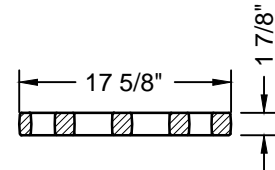
**NOTES:**

1. ASTM A48-83 CLASS 35B
2. ALL BEARING SURFACES TO BE MACHINED

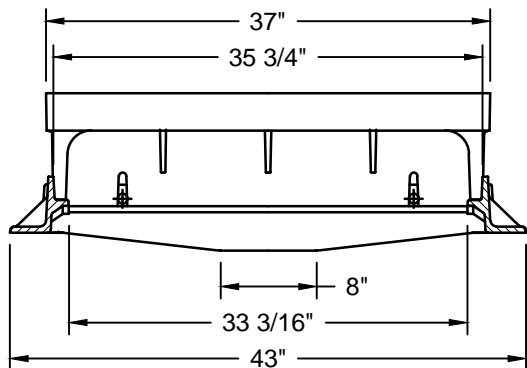
**FRAME AND GRATE**  
EAST JORDAN 7030Z1 W/GRATE  
TYPE M3 & ENVIRONMENTAL  
LETTERING/SYMBOLS.



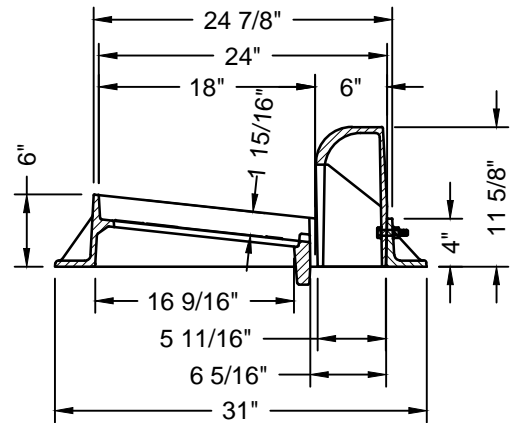
GRATE SECTION C-C



GRATE SECTION B-B

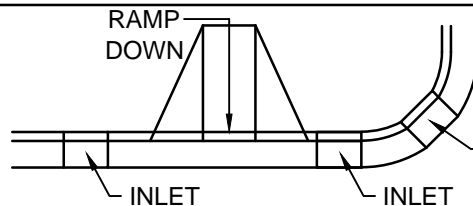


FRAME SECTION A-A



FRAME SECTION B-B

INLET SHALL NOT BE PLACED  
AT ENTRANCE OF ANY ADA  
CERTIFIED RAMPS.



SMOOTH TRANSITION TO BE  
MAINTAINED WHEN PLACING  
INLET WITHIN CURB RADIUS.