

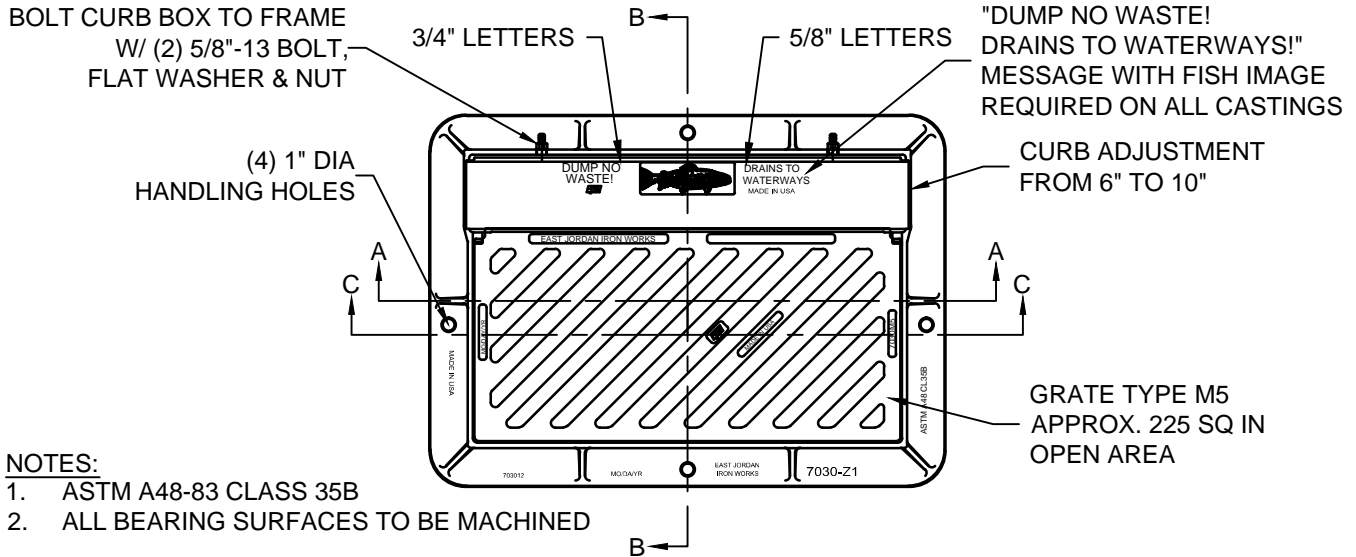


2' X 3' CURB AND GUTTER CASTING

Created: July 20, 2010

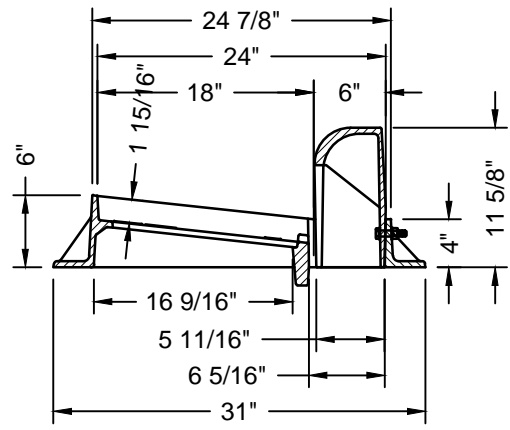
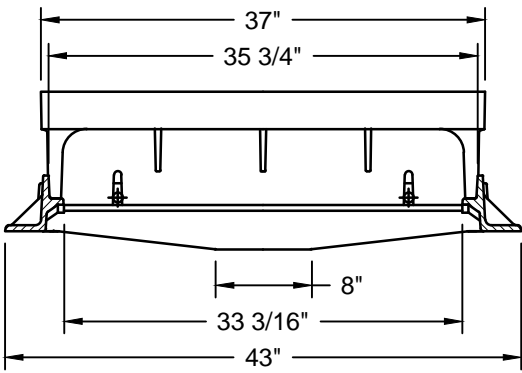
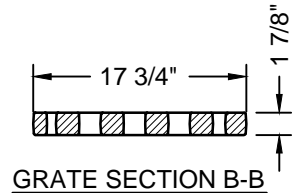
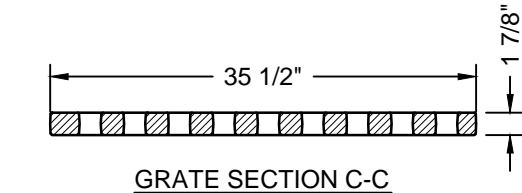
Revised: October 28, 2015

Scale: N.T.S.



- NOTES:**
1. ASTM A48-83 CLASS 35B
 2. ALL BEARING SURFACES TO BE MACHINED

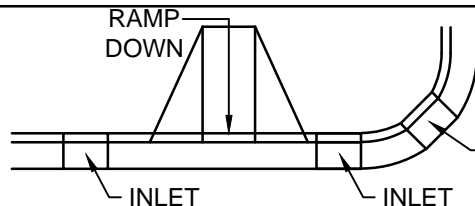
FRAME AND GRATE
EAST JORDAN 7030Z1 W/GRATE
TYPE M5 & ENVIRONMENTAL
LETTERING/SYMBOLS.



FRAME SECTION A-A

FRAME SECTION B-B

INLET SHALL NOT BE PLACED AT ENTRANCE OF ANY ADA CERTIFIED RAMPS.



SMOOTH TRANSITION TO BE MAINTAINED WHEN PLACING INLET WITHIN CURB RADIUS.