

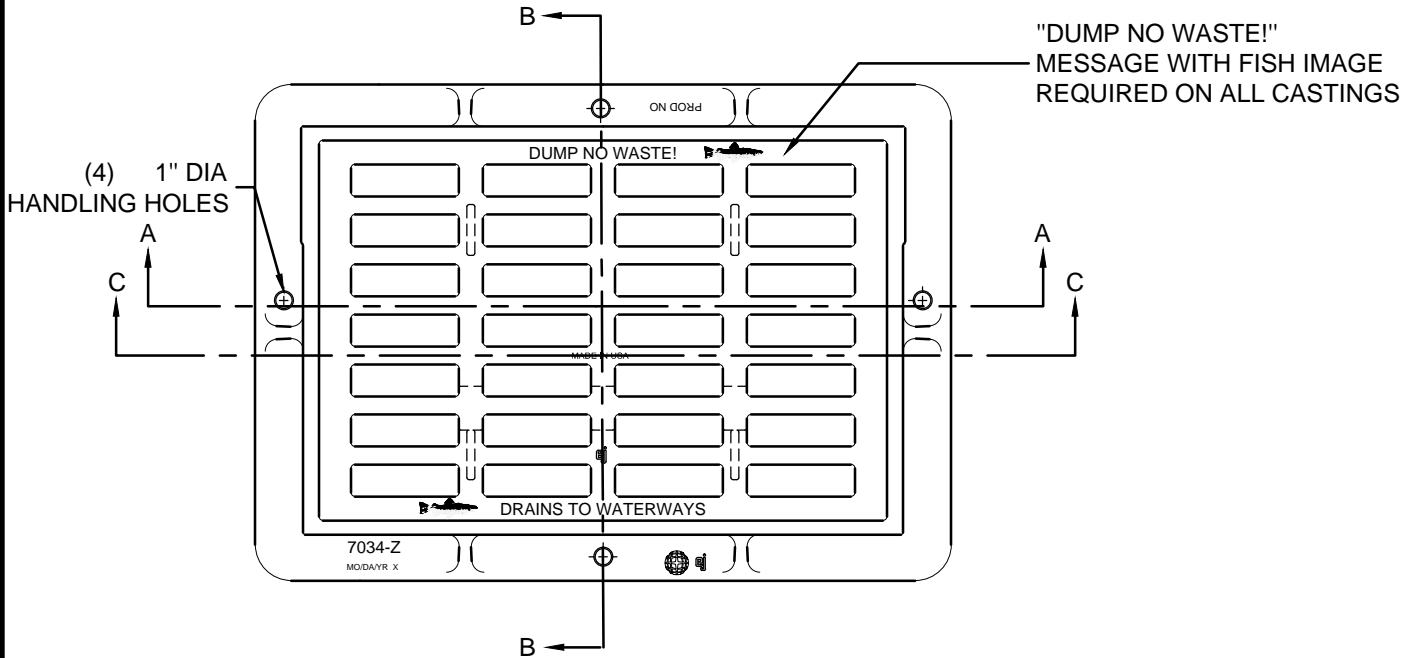


2' X 3' APPROACH CASTING

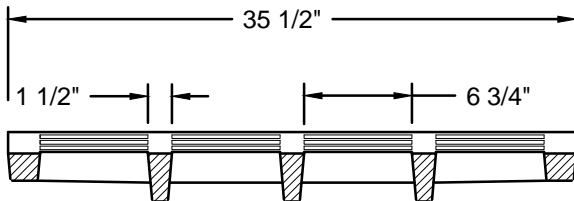
Created: June 28, 2016

Revised: June 28, 2016

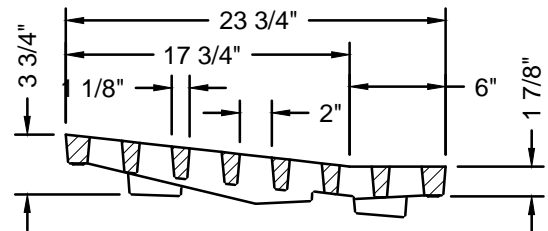
Scale: N.T.S.



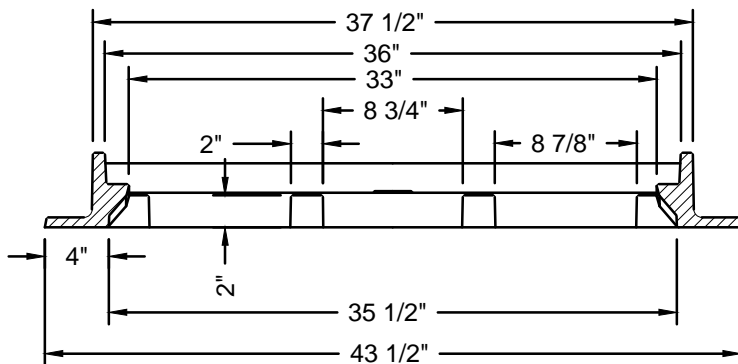
FRAME AND GRATE
EAST JORDAN 7034Z WITH 7034M
GRATE & ENVIRONMENTAL
LETTERING/SYMBOLS



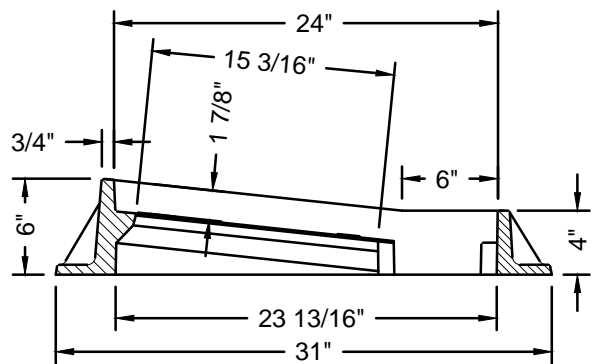
GRATE SECTION C-C



GRATE SECTION B-B



FRAME SECTION A-A



FRAME SECTION B-B

NOTE:

1. ASTM-48-83, CLASS 35B
2. ALL BEARING SURFACE
BE MACHINED