

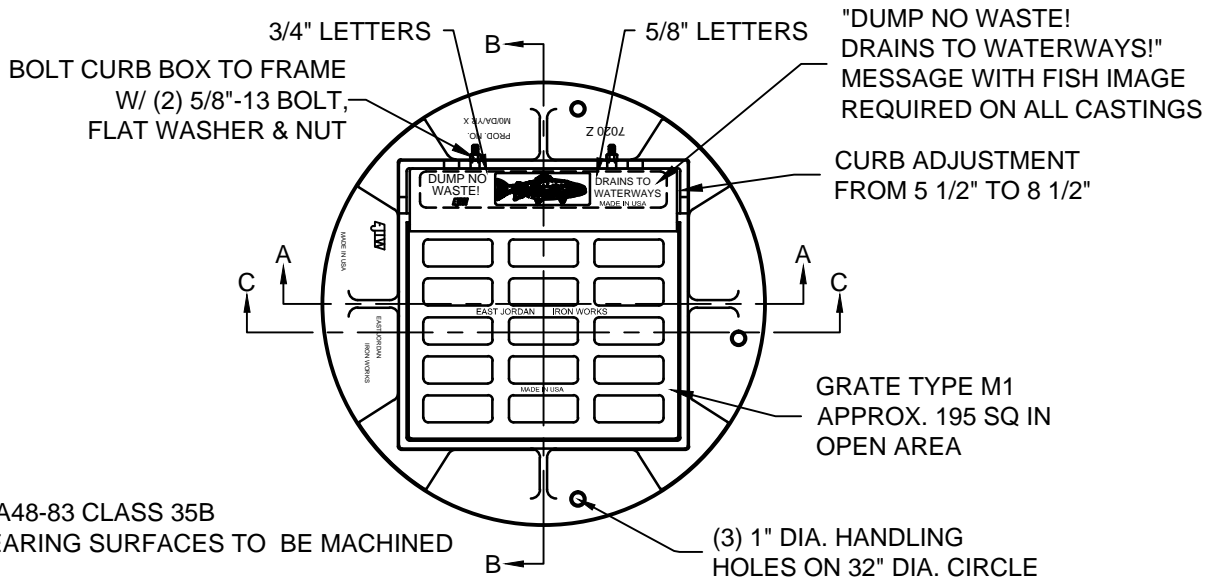


# 33" ROUND CURB & GUTTER CASTING

Created: August 4, 2010

Revised: October 28, 2015

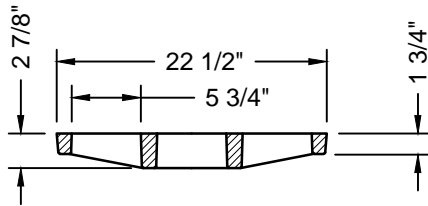
Scale: N.T.S.



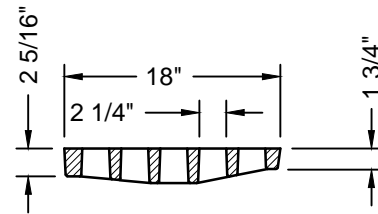
**NOTES:**

1. ASTM A48-83 CLASS 35B
2. ALL BEARING SURFACES TO BE MACHINED

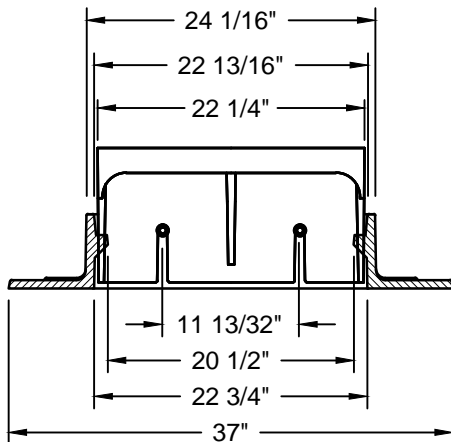
**FRAME AND GRATE**  
EAST JORDAN 7020Z W/GRATE TYPE M1 & ENVIRONMENTAL LETTERING/SYMBOLS.



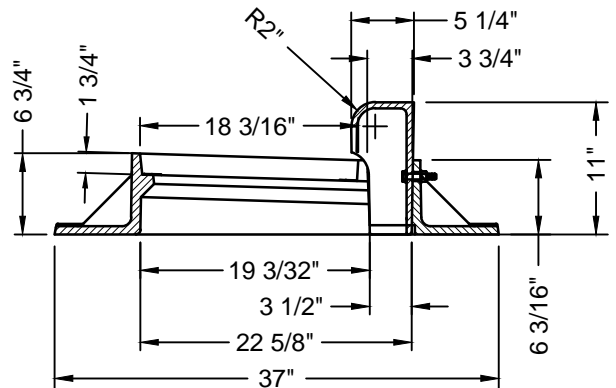
GRATE SECTION C-C



GRATE SECTION B-B

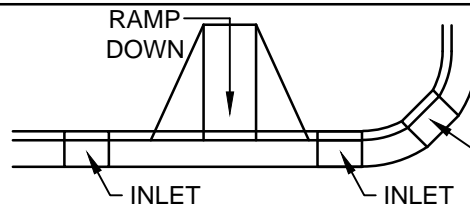


FRAME SECTION A-A



FRAME SECTION B-B

INLET SHALL NOT BE PLACED AT ENTRANCE OF ANY ADA CERTIFIED RAMPS.



SMOOTH TRANSITION TO BE MAINTAINED WHEN PLACING INLET WITHIN CURB RADIUS.