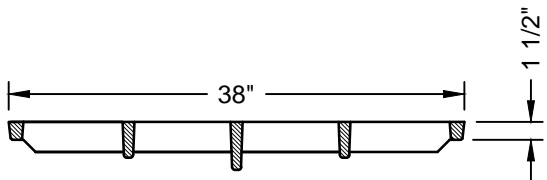


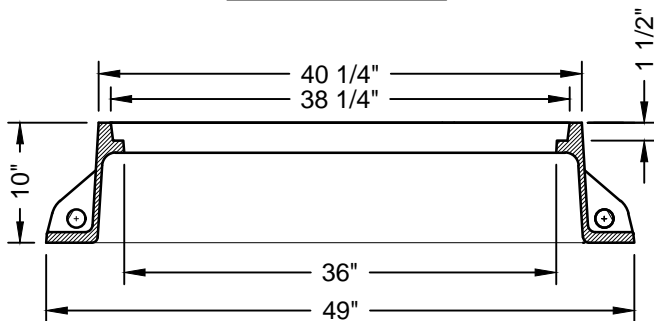
**FRAME & GRATE**  
NEENAH R-2580-C W/TYPE G GRATE  
W/ENVIRONMENTAL LETTERING/SYMBOL

**NOTES:**

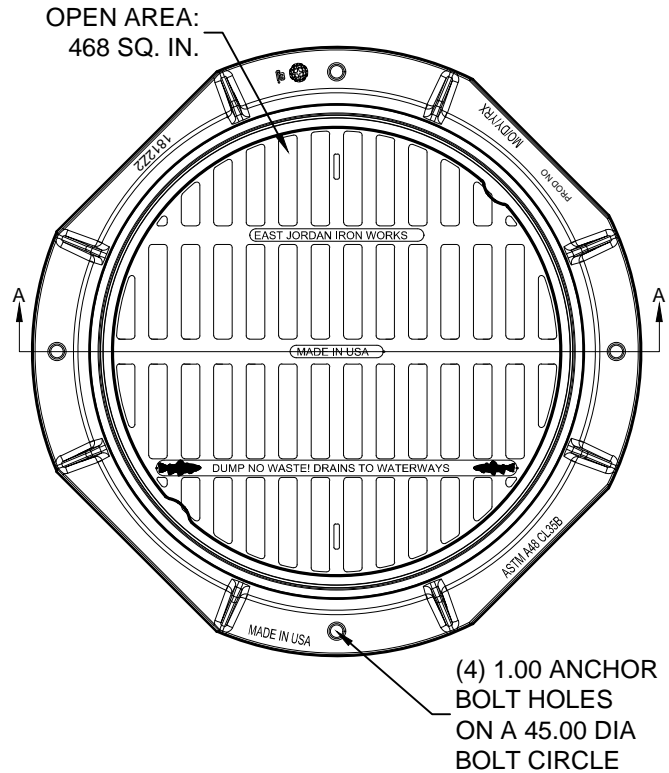
1. MATERIAL: CAST GRAY IRON ASTM A-48, CLASS 35B
2. ALL BEARING SURFACES TO BE MACHINED



GRATE SECTION A-A



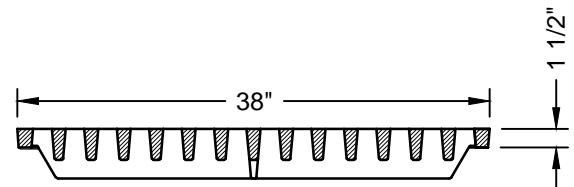
FRAME SECTION A-A



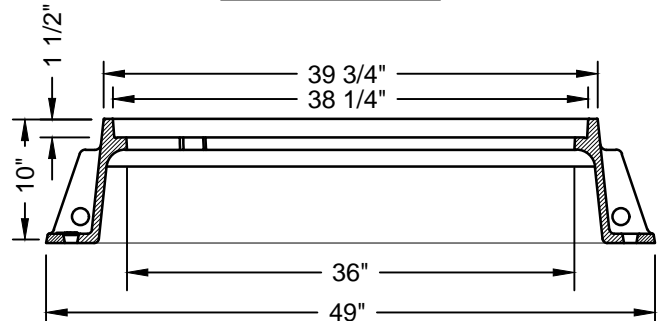
**FRAME & GRATE**  
EAST JORDAN EJ 181222 FRAME W/1580MCH  
GRATE W/ENVIRONMENTAL LETTERING/SYMBOL

**NOTES:**

1. MATERIAL: CAST GRAY IRON ASTM A-48, CLASS 35B
2. ALL BEARING SURFACES TO BE MACHINED



GRATE SECTION A-A



FRAME SECTION A-A