



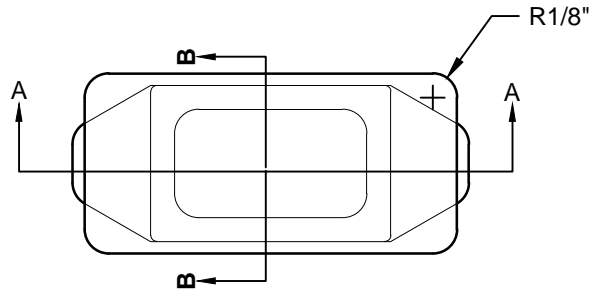
PICK HOLE PLUG FOR NEENAH CASTINGS (NF-9204-A)

Created: April 8, 2015

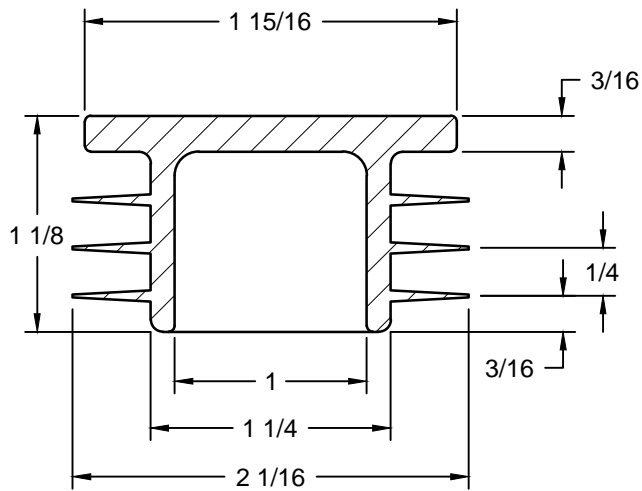
Revised: September 9, 2015

Scale: N.T.S.

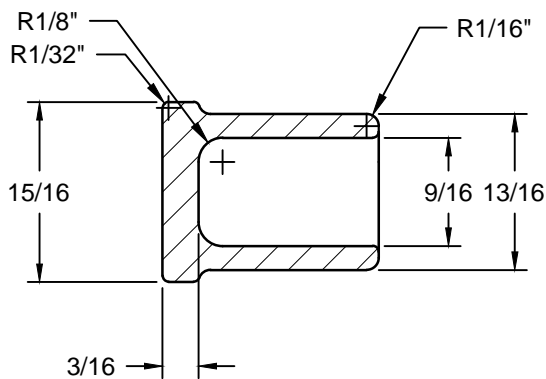
Approved: May 22, 2015



Plan View



Section A-A



Section B-B

NOTES:

1. ALL DIMENSIONS SHOWN ARE IN ENGLISH
2. MATERIAL: LOW-DENSITY POLYETHYLENE
3. FINISH: POLISHED AND TEXTURED