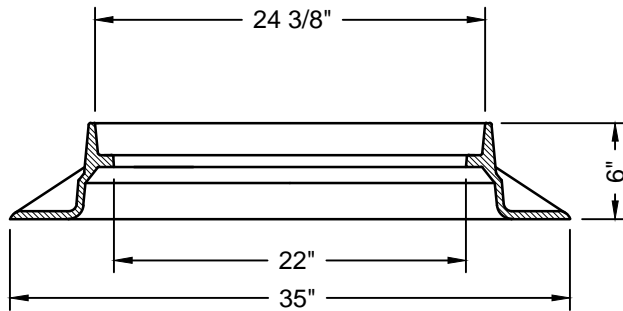


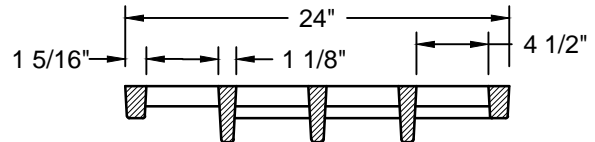
FRAME AND SOLID LID  
NEENAH R-3210Q W/ TYPE "Q" GRATE  
W/ ALMETEK ENVIRONMENTAL MARKER

**NOTES:**

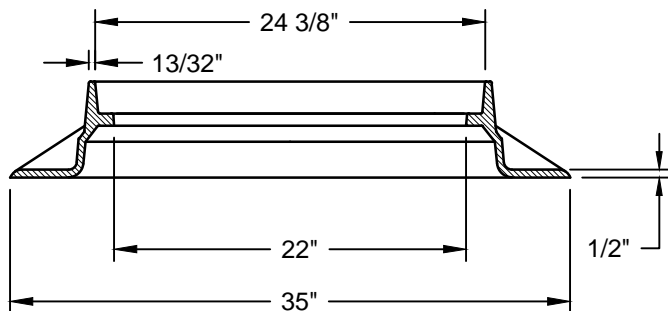
1. DESIGN LOAD: HEAVY DUTY
2. ASTM A48 CLASS 35B
3. TO BE USED W/ 2'X2' INLET STRUCTURE
4. INSTALL ALMETEK ENVIRONMENTAL MARKER WITH CASTING ASSEMBLY



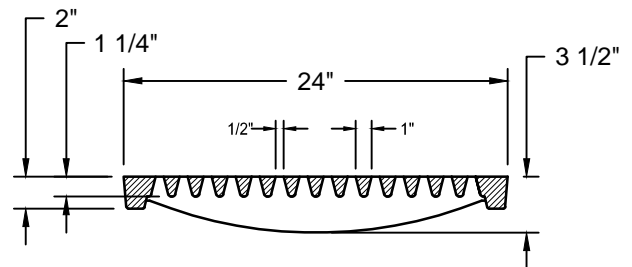
FRAME SECTION A-A



GRATE SECTION A-A



FRAME SECTION B-B



GRATE SECTION B-B