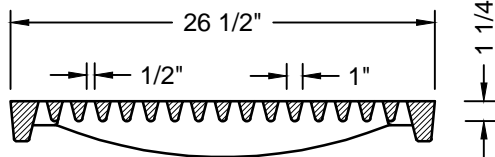
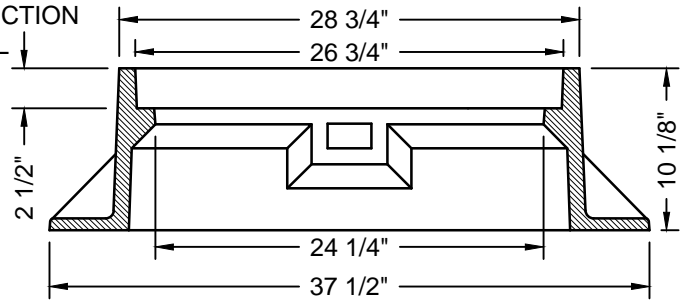


FRAME AND SOLID LID  
NEENAH R-3572-2Q W/ TYPE "Q" GRATE  
W/ ALMETEK ENVIRONMENTAL MARKER

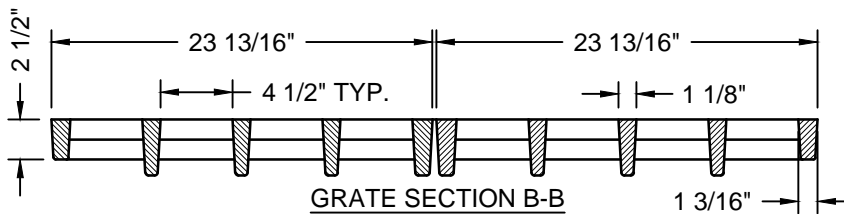


GRATE SECTION A-A

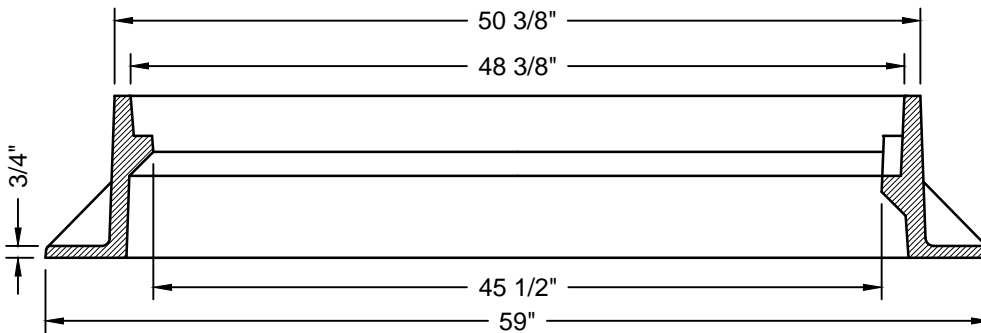
DOMINANT DIRECTION  
OF TRAVEL



FRAME SECTION A-A



GRATE SECTION B-B



FRAME SECTION B-B

**NOTES:**

1. SUITABLE FOR HS-25 LOADING
2. COMPONENT NO'S: FRAME 3572-0001; (2) GRATE 3573-0007
3. MATERIAL: CAST GRAY IRON ASTM A-48, CLASS 35B
4. TO BE USED WITH 30" X 46" INLET STRUCTURE
5. INSTALL ALMETEK ENVIRONMENTAL MARKER WITH CASTING ASSEMBLY