

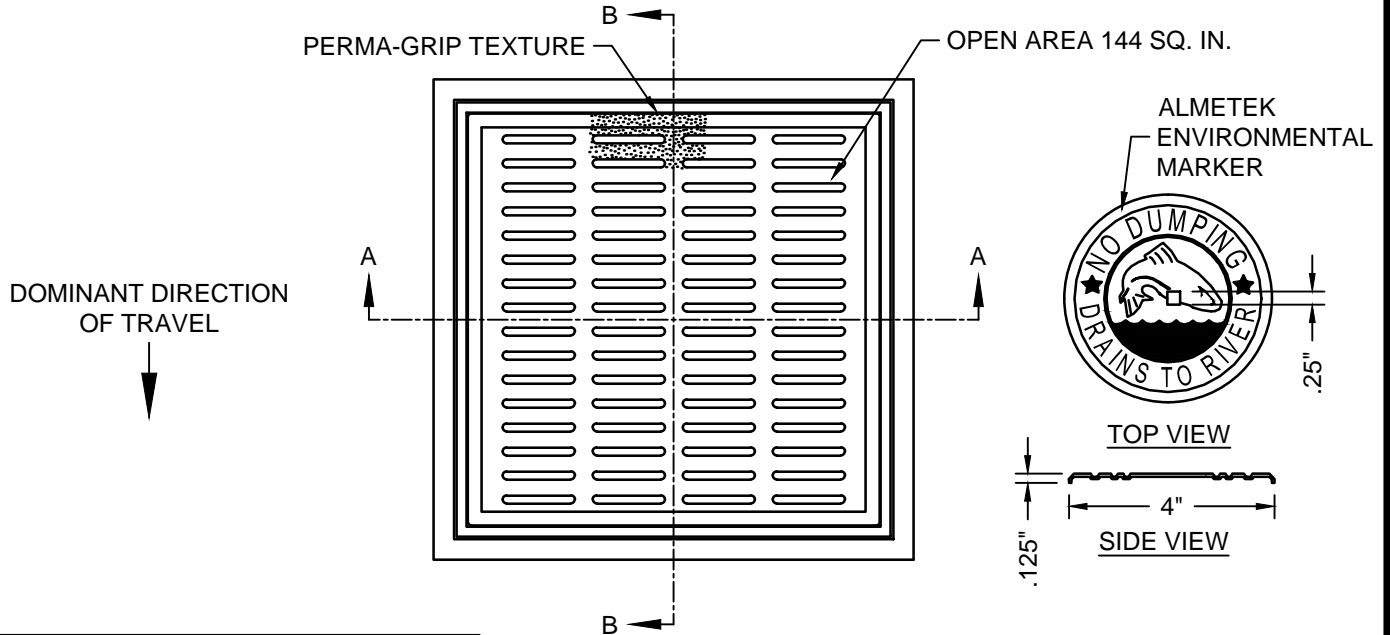


24" X 24" ADA CASTING

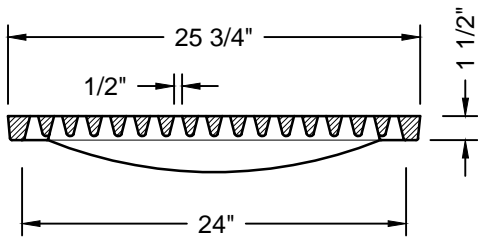
Created: June 13, 2017

Revised: February 21, 2018

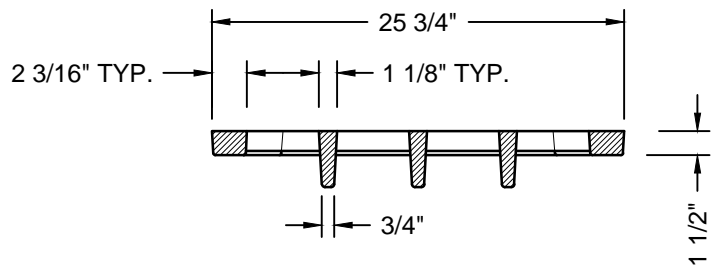
Scale: N.T.S.



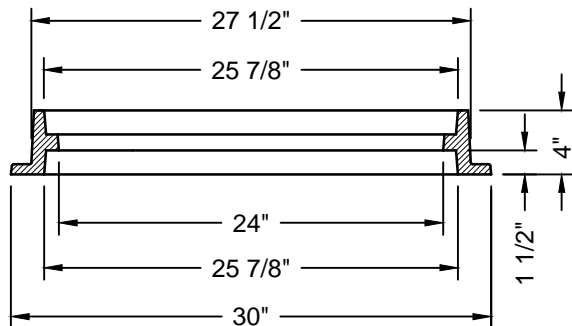
FRAME AND SOLID LID
NEENAH R-1878-A6 W/ TYPE "Q" GRATE
W/ ALMETEK ENVIRONMENTAL MARKER



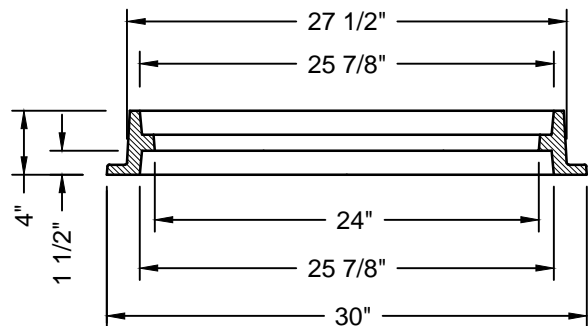
GRATE SECTION A-A



GRATE SECTION B-B



FRAME SECTION A-A



FRAME SECTION B-B

NOTES:

1. CAPABLE OF H-25/HS-25 LOAD RATING RATING (SUPPORTED ON 4 SIDES)
2. COMPONENT NO'S: FRAME 1878-0017, GRATE 1878-0403
4. MATERIAL: CAST GRAY IRON ASTM A-48, CLASS 35B
5. FINISH: NOT PAINTED
6. WEIGHT: FRAME - 130#, GRATE - 205#
7. TO BE USED WITH 2' X 2' INLET STRUCTURE