

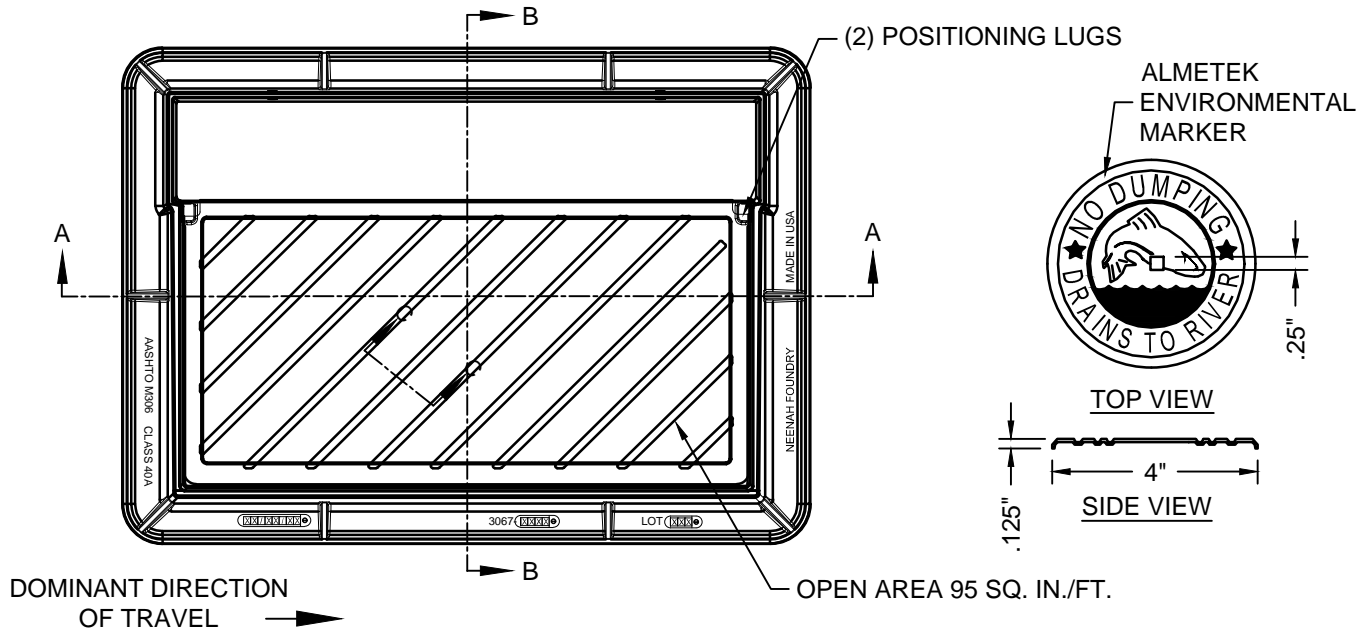


2' X 3' ADA CASTING

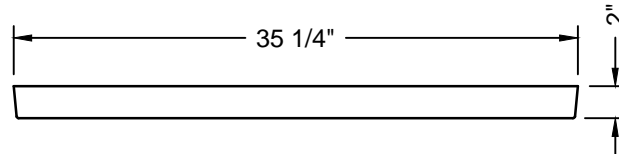
Created: July 10, 2017

Revised: February 21, 2018

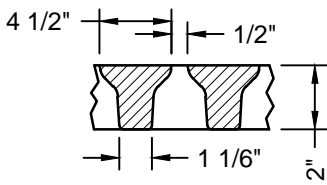
Scale: N.T.S.



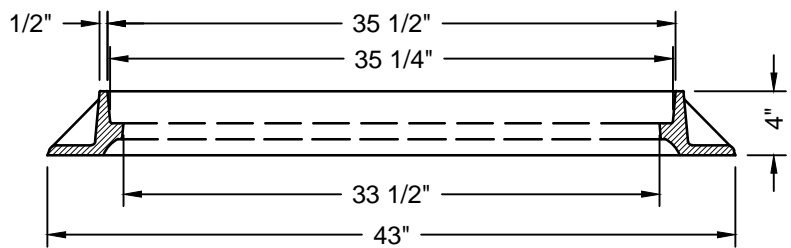
FRAME AND SOLID LID
NEENAH R-3067-C FRAME W/R-3067 DR/DL GRATE
W/ ALMETEK ENVIRONMENTAL MARKER



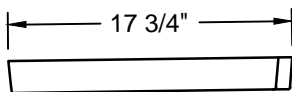
GRATE SECTION A-A



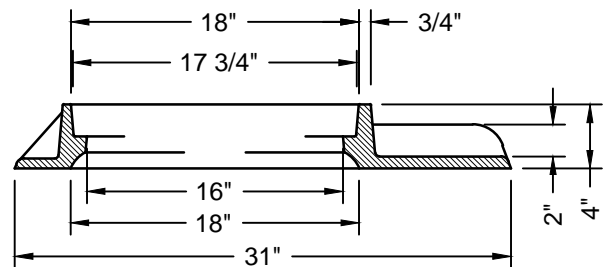
FRAME SECTION C-C



FRAME SECTION A-A



GRATE SECTION B-B



FRAME SECTION B-B

NOTES:

1. ASTM A48-83 CLASS 35B
2. TO BE USED WITH 2' X 3' INLET STRUCTURE
3. COMPONENT NO'S: FRAME 3067-2014, GRATE 3067-3000