

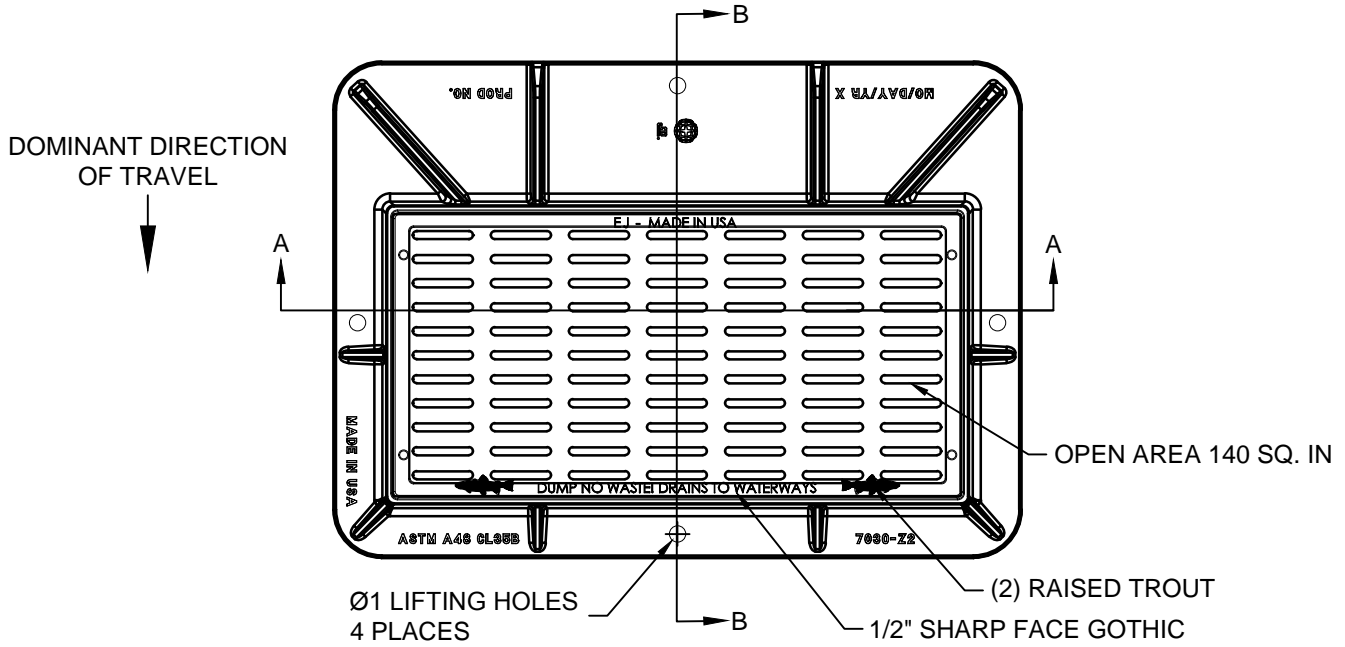


# 2' X 3' ADA CASTING

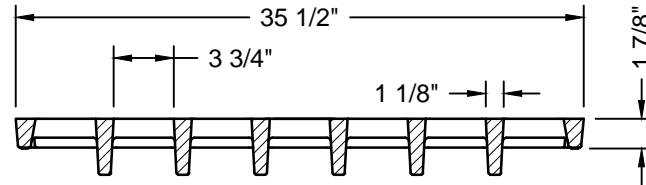
Created: June 13, 2017

Revised: February 21, 2018

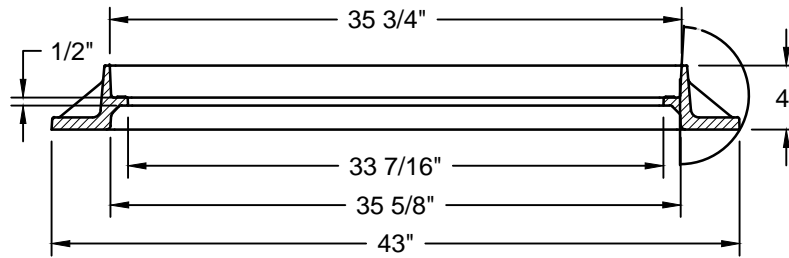
Scale: N.T.S.



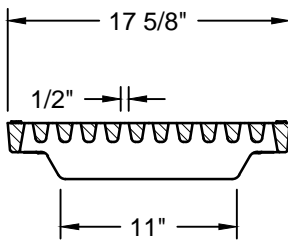
**FRAME AND GRATE**  
E. JORDAN 7030Z2 FRAME  
W/7030M10 GRATE &  
ENVIRONMENTAL  
LETTERING/SYMBOLS



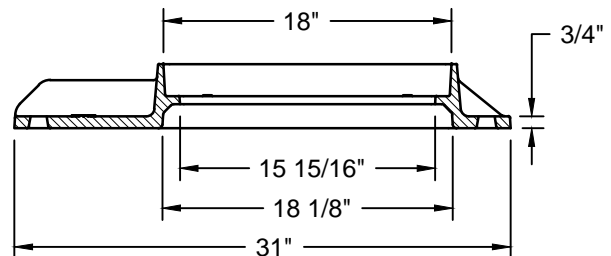
GRATE SECTION A-A



FRAME SECTION A-A



GRATE SECTION B-B



FRAME SECTION B-B

**NOTES:**

1. ASTM A48-83 CLASS 35B
2. TO BE USED WITH 2' X 3' INLET STRUCTURE