

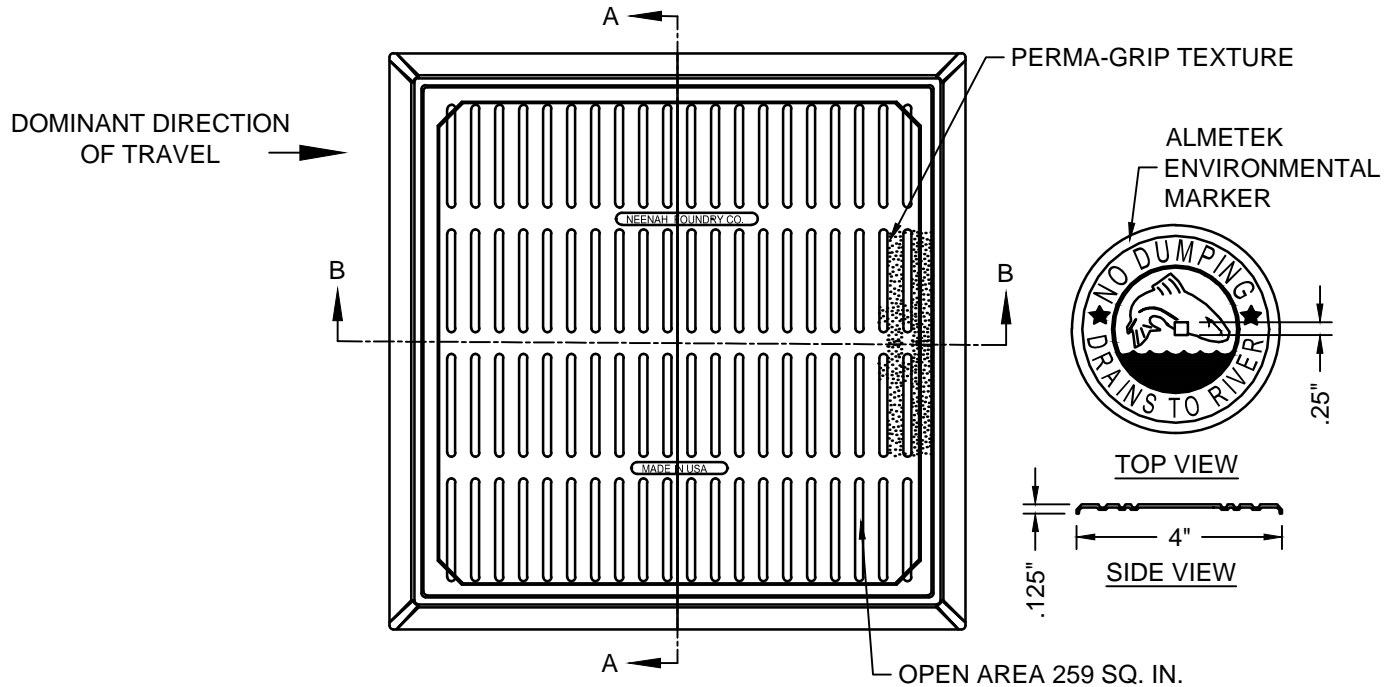


30" X 30" ADA CASTING

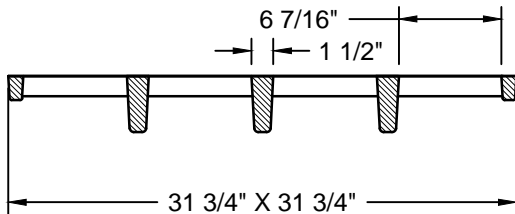
Created: June 13, 2017

Revised: February 21, 2018

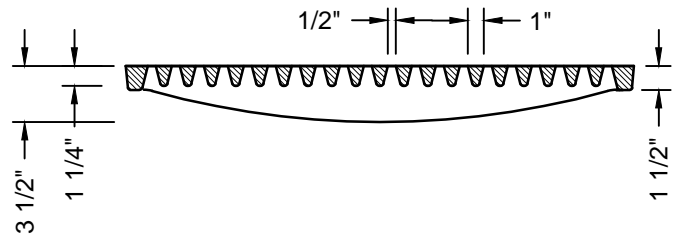
Scale: N.T.S.



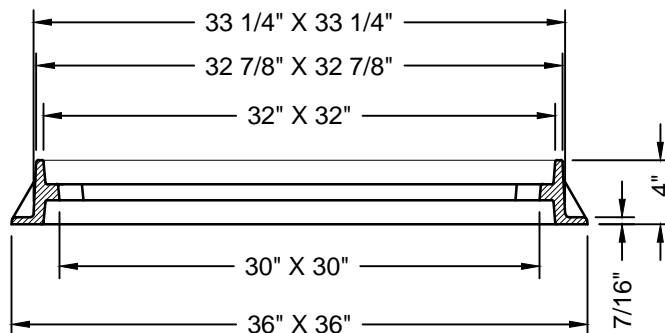
FRAME AND SOLID LID
NEENAH R-1878-A9G W/ TYPE "Q" GRATE
W/ ALMETEK ENVIRONMENTAL MARKER



GRATE SECTION A-A



GRATE SECTION B-B



FRAME SECTION

NOTES:

1. DESIGN LOAD: HEAVY DUTY
2. ASTM A48 CLASS 35B
3. USE WITH 30"X30" INLET STRUCTURE
4. COMPONENT NOS.: FRAME 1878-2028; GRATE 1878-3034