

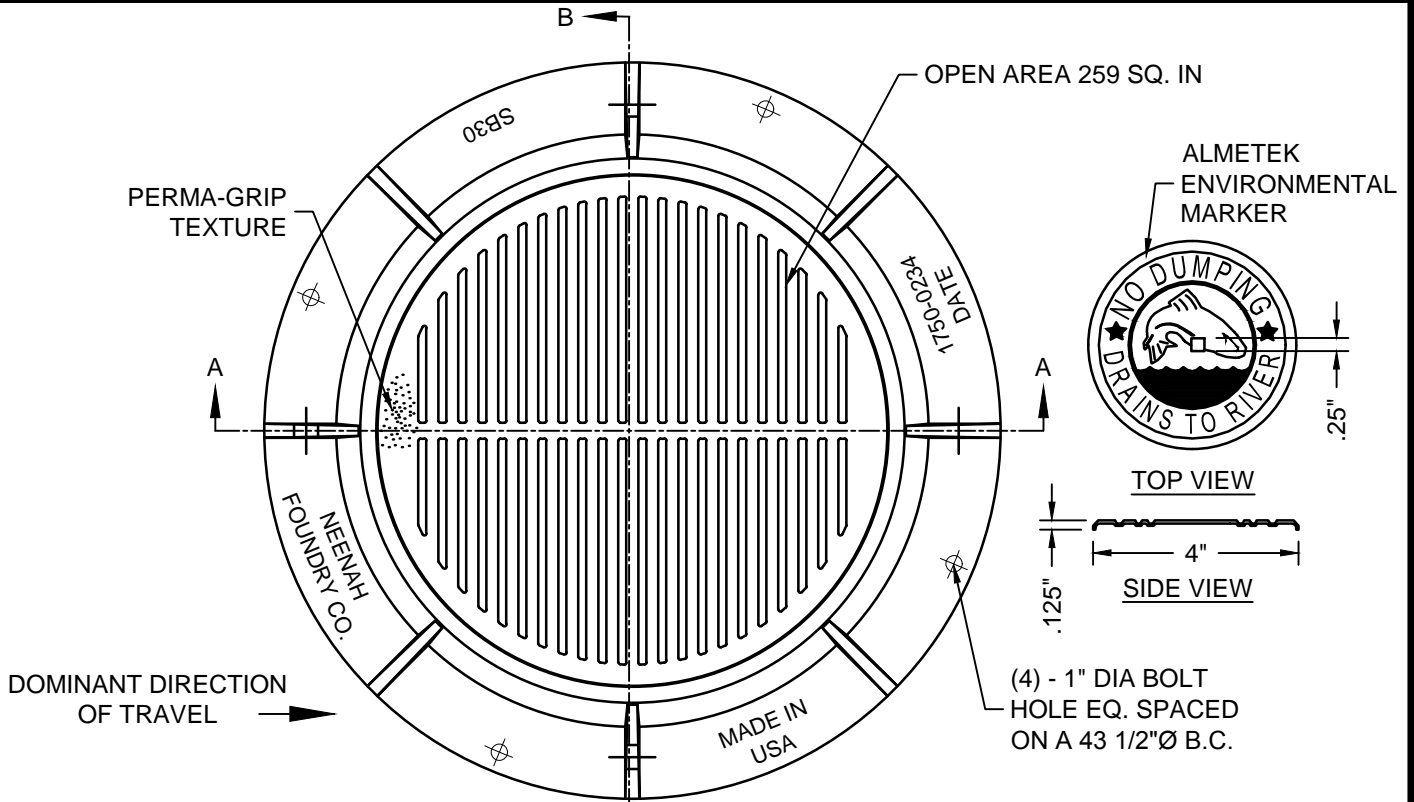


30" ROUND ADA CASTING

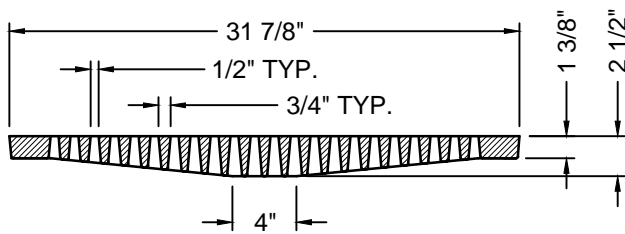
Created: June 14, 2017

Revised: February 21, 2018

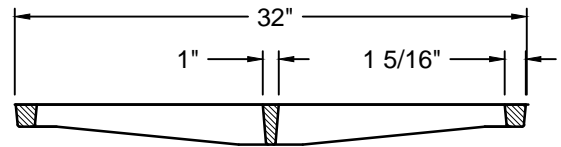
Scale: N.T.S.



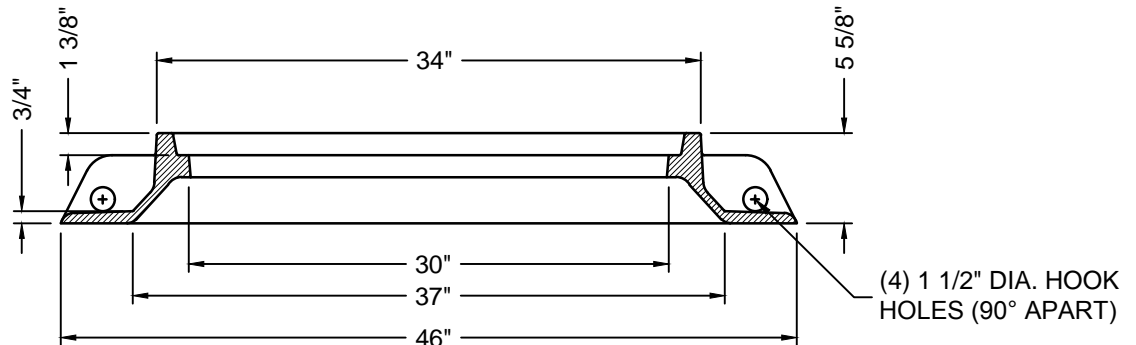
FRAME AND SOLID LID
NEENAH R-2750 W/TYPE "Q" GRATE
W/ ALMETEK ENVIRONMENTAL MARKER



GRATE SECTION A-A



GRATE SECTION B-B



FRAME SECTION

NOTES:

1. COMPONENT NOS.: FRAME 1750-0234, GRATE 1750-0125
2. WEIGHT: FRAME 319#, GRATE 207#
3. TO BE USED WITH 48",60",72",96" MANHOLES STRUCTURES