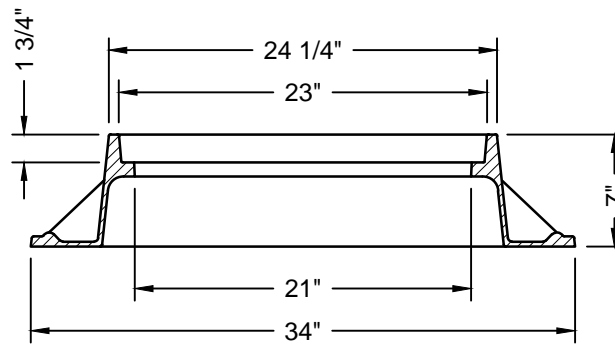
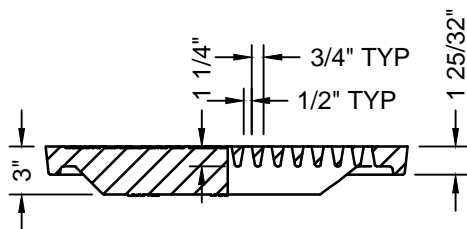


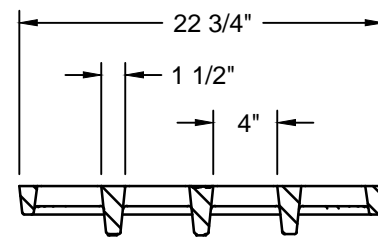
FRAME AND SOLID LID
EAST JORDAN 1022Z1 W/TYP M3 GRATE
ENVIRONMENTAL LETTERING/SYMBOLS



FRAME SECTION A-A



GRATE SECTION A-A



GRATE SECTION B-B

NOTES:

1. ASTM A48-83 CLASS NO. 35
2. ALL BEARING SURFACES TO BE MACHINED
3. TO BE USED W/30" & 33" ROUND INLET STRUCTURES & STORM MANHOLE STRUCTURES