



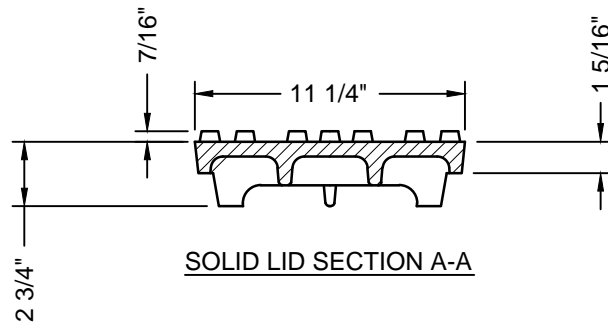
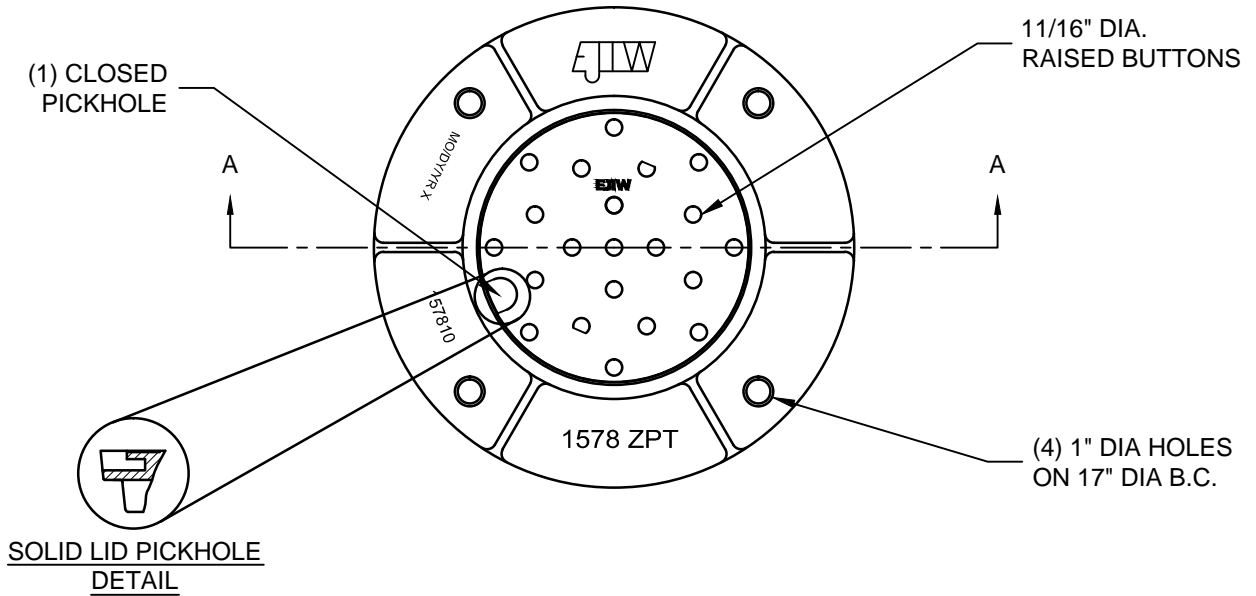
# 12" CLEANOUT CASTING

Created: January 1, 2002

Revised: June 12, 2014

Scale: N.T.S.

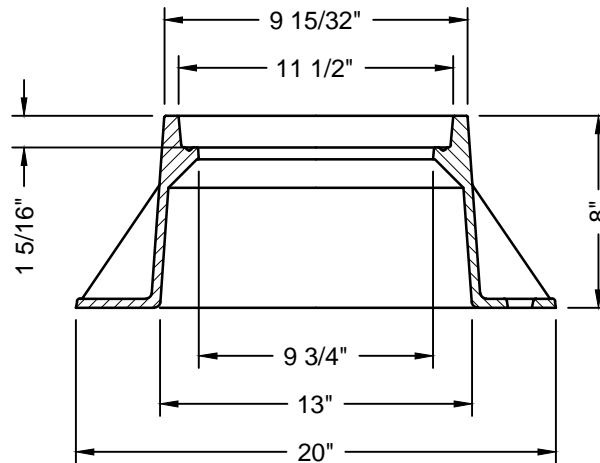
Approved: May 16, 2012



**NOTES:**

1. ASTM A48-83 CLASS 35B
2. ALL BEARING SURFACES TO BE MACHINED

FRAME AND SOLID LID  
EAST JORDAN 1578 FRAME & SOLID LID



FRAME SECTION A-A