



# 24" SOLID STORM CASTING

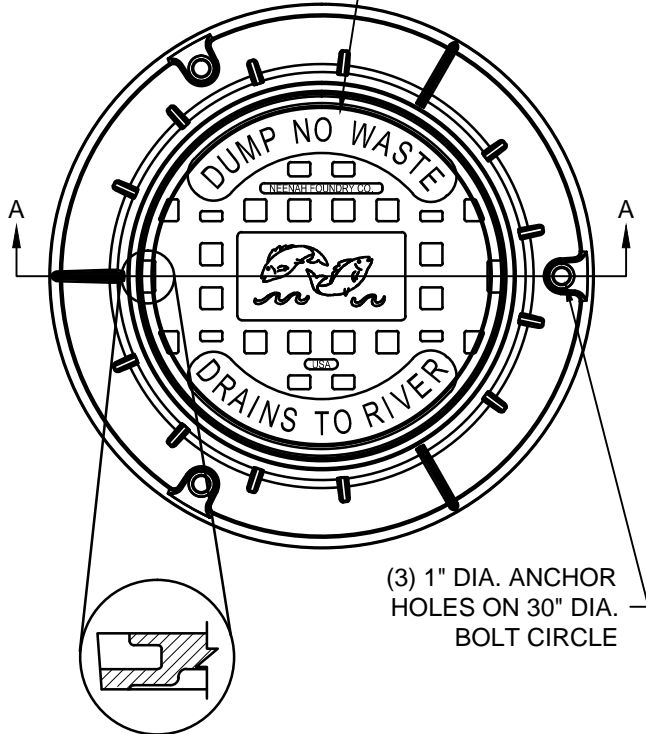
Created: January 1, 2002

Revised: June 12, 2014

Scale: N.T.S.

Approved: May 16, 2012

"DUMP NO WASTE!  
DRAINS TO RIVER!"  
MESSAGE WITH FISH IMAGE  
REQUIRED ON ALL CASTINGS



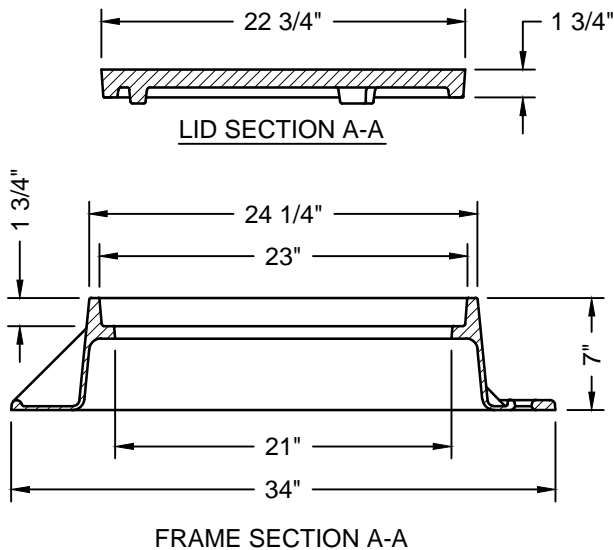
(3) 1" DIA. ANCHOR  
HOLES ON 30" DIA.  
BOLT CIRCLE

CONCEALED PICKHOLE DETAIL

**NOTES:**

1. ASTM A48-83 CLASS 35B
2. ALL BEARING SURFACES TO BE MACHINED

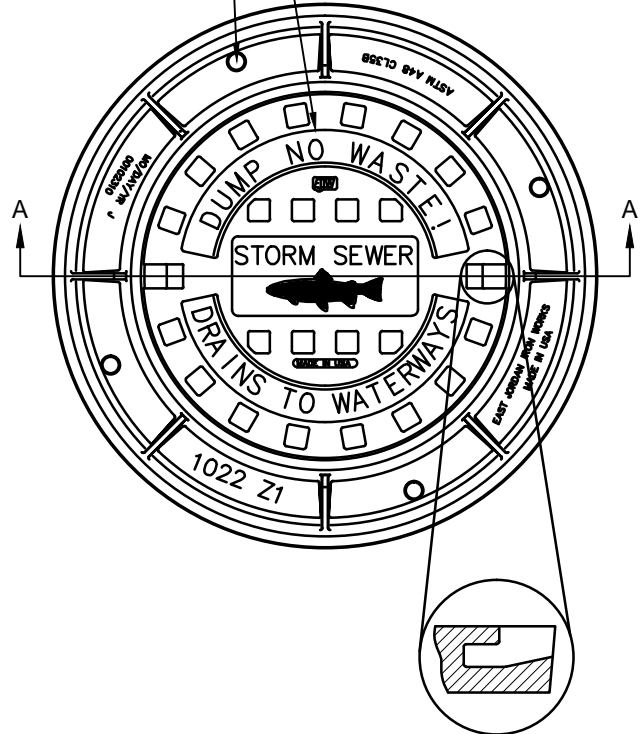
FRAME AND SOLID LID  
NEENAH R-1772 W/ENVIRONMENTAL  
LETTERING/SYMBOLS  
(STORM APPLICATION ONLY)



FRAME SECTION A-A

(4) 1" DIA.  
ANCHOR HOLES  
ON 29" DIA.  
BOLT CIRCLE

"DUMP NO WASTE!  
DRAINS TO WATERWAYS!"  
MESSAGE WITH FISH IMAGE  
REQUIRED ON ALL CASTINGS

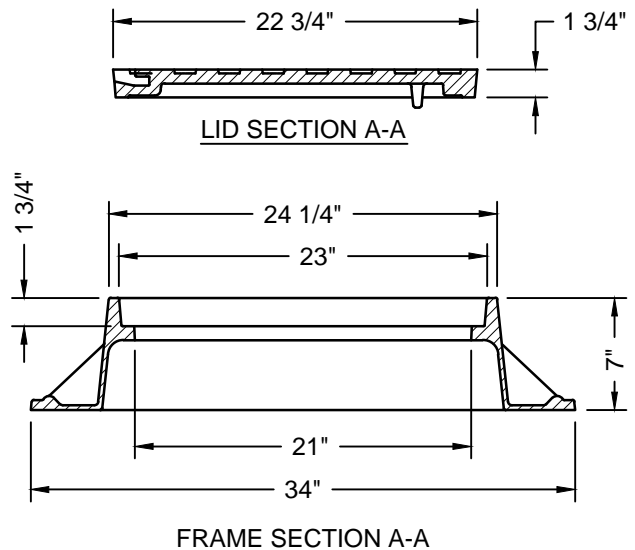


CONCEALED PICKHOLE DETAIL

**NOTES:**

1. ASTM A48-83 CLASS 35B
2. ALL BEARING SURFACES TO BE MACHINED

FRAME AND SOLID LID  
E. JORDAN 1022Z1 W/ ENVIRONMENTAL  
LETTERING/SYMBOLS  
(STORM APPLICATION ONLY)



FRAME SECTION A-A