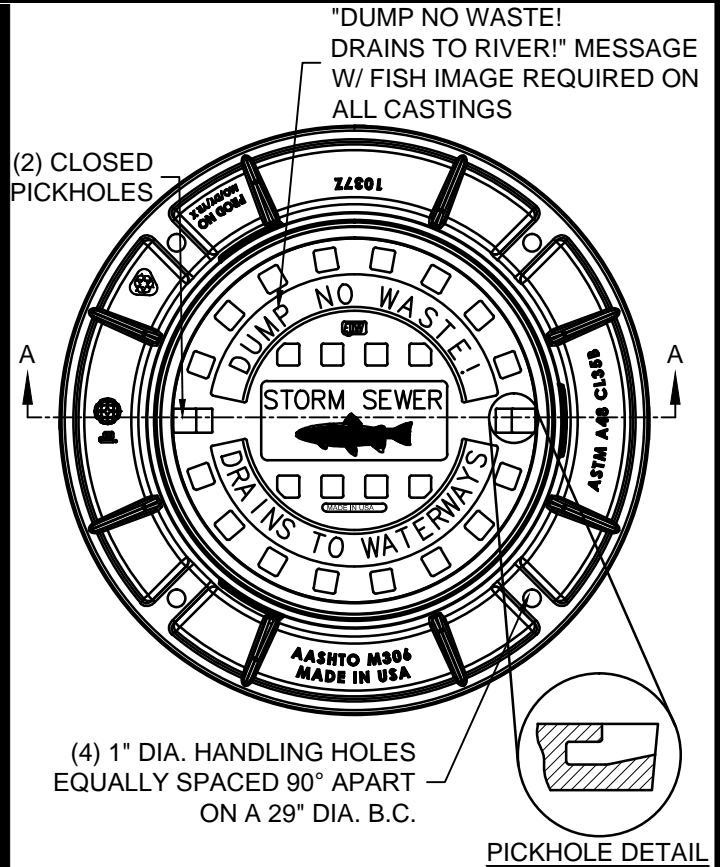
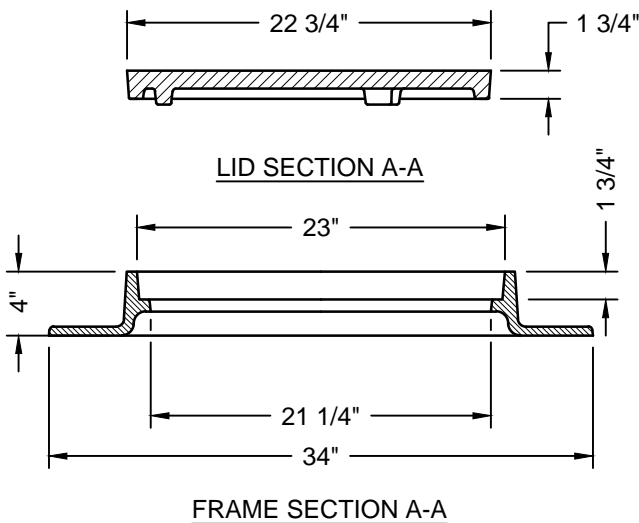


**NOTES:**

1. ASTM A48-83 CLASS NO. 35
2. ALL BEARING SURFACES TO BE MACHINED

FRAME AND SOLID LID  
NEENAH R-1647 W/ENVIRONMENTAL  
LETTERING/SYMBOLS (STORM APPLICATION ONLY)



**NOTES:**

1. ASTM A48-83 CLASS NO. 35
2. ALL BEARING SURFACES TO BE MACHINED

FRAME AND SOLID LID  
EAST JORDAN 1037Z W/ENVIRONMENTAL  
LETTERING/SYMBOLS (STORM APPLICATION ONLY)

