



# 24" BEEHIVE CASTING

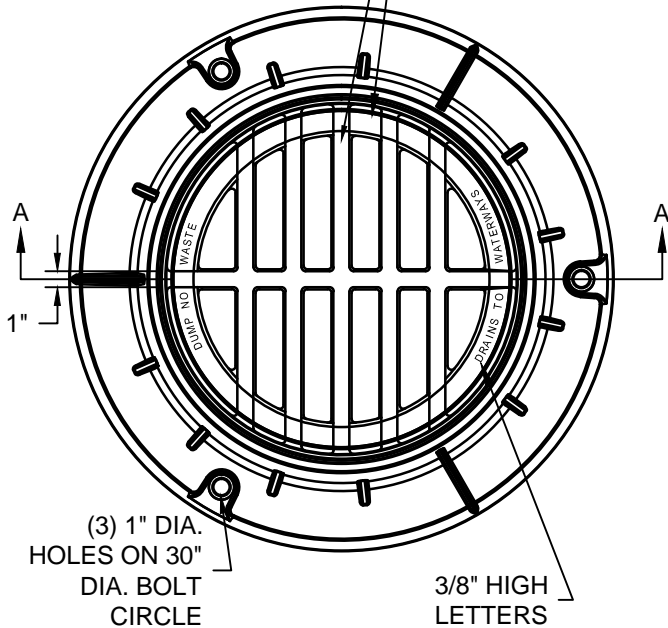
Created: January 1, 2002

Revised: January 24, 2017

Scale: N.T.S.

"DUMP NO WASTE!  
DRAINS TO WATERWAYS!"  
MESSAGE REQUIRED  
ON ALL CASTINGS

GRATE R-4351-D  
APPROX. 230 SQ. IN.  
OPEN AREA



**NOTES:**

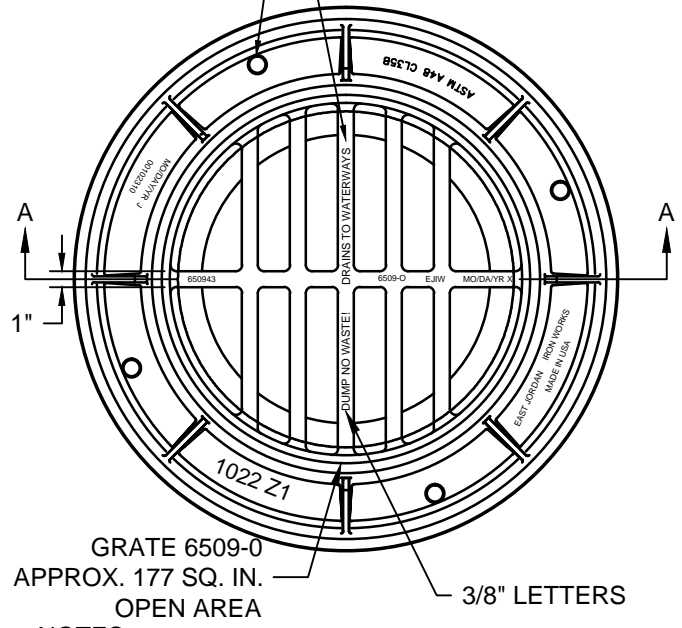
1. ASTM A48-83 CLASS 35B
2. ALL BEARING SURFACES TO BE MACHINED

**FRAME AND GRATE**

NEENAH R-1772 W/R-4351-D BEEHIVE GRATE & ENVIRONMENTAL LETTERING/SYMBOLS

(4) 1" DIA. ANCHOR  
HOLES ON 29" DIA.  
BOLT CIRCLE

"DUMP NO WASTE!  
DRAINS TO WATERWAYS!"  
MESSAGE WITH FISH IMAGE  
REQUIRED ON ALL CASTING



**NOTES:**

1. ASTM A48-83 CLASS 35B
2. ALL BEARING SURFACES TO BE MACHINED

**FRAME AND GRATE**

E. JORDAN 1022Z1 W/6509-O BEEHIVE GRATE & ENVIRONMENTAL LETTERING/SYMBOLS

