

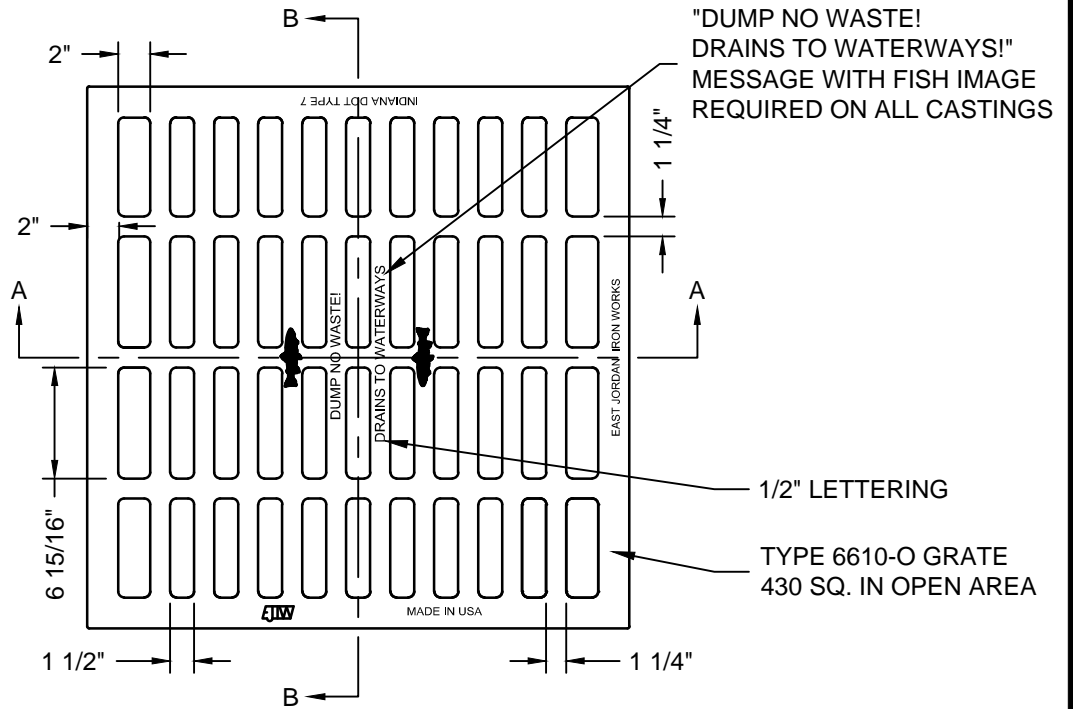


# 30" X 30" BEEHIVE GRATE

Created: January 1, 2002

Revised: October 23, 2015

Scale: N.T.S.

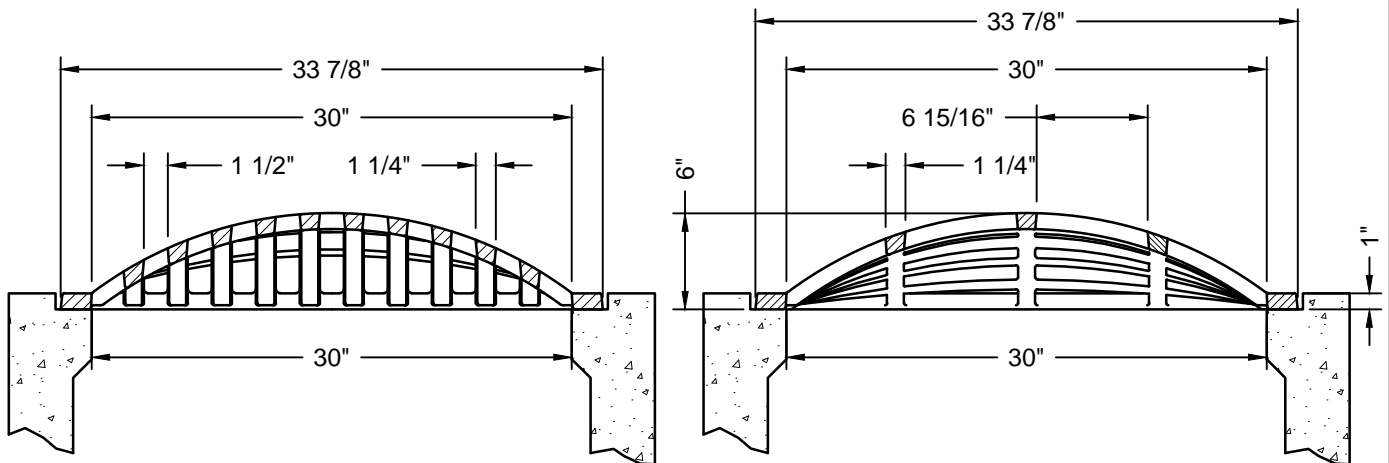


### NOTES:

1. ASTM A48-83 CLASS 35B
2. ALL BEARING SURFACES TO BE MACHINED

### GRATE

EAST JORDAN 6610-O GRATE  
W/ENVIRONMENTAL LETTERING/SYMBOLS  
(NON-TRAFFIC APPLICATION ONLY)



GRATE SECTION A-A

GRATE SECTION B-B