

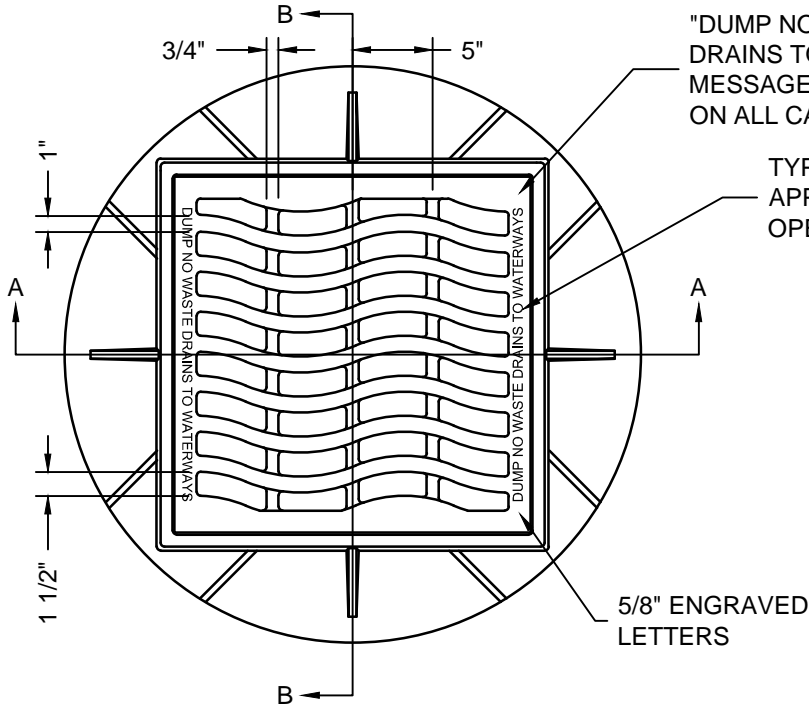


2' X 2' ALLEY CASTING

Created: July 20, 2010

Revised: October 28, 2015

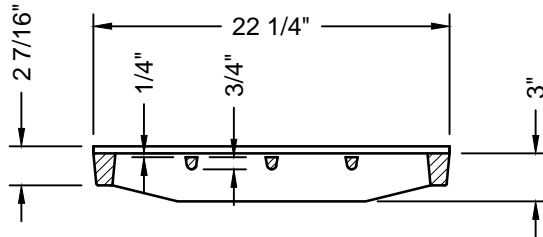
Scale: N.T.S.



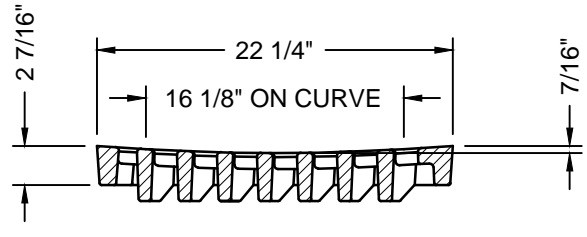
NOTES:

1. ASTM A48-83 CLASS 35B
2. ALL BEARING SURFACES TO BE MACHINED

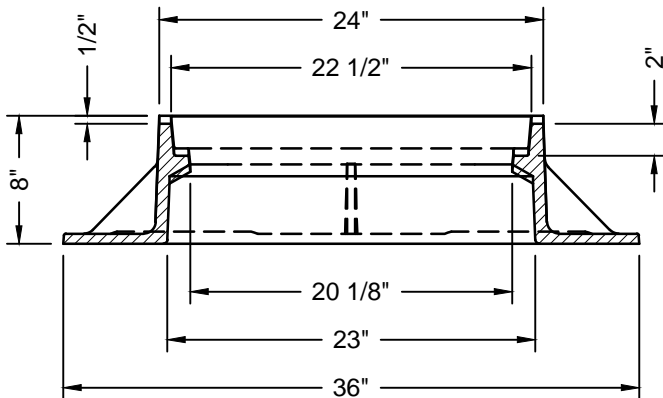
FRAME AND GRATE
NEENAH R-3036-B W/TYPE S GRATE &
ENVIRONMENTAL LETTERING/SYMBOLS



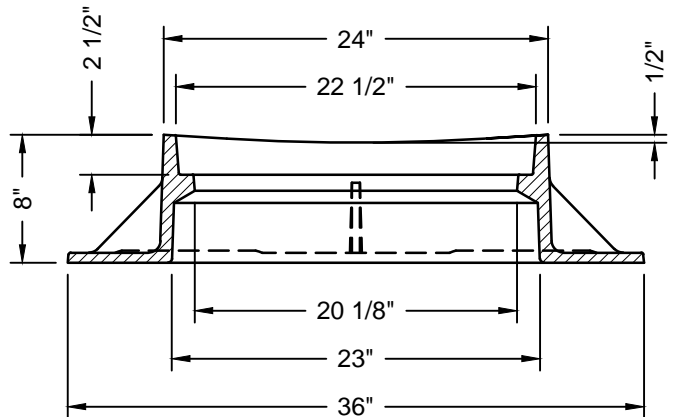
GRATE SECTION A-A



GRATE SECTION B-B



FRAME SECTION A-A



FRAME SECTION B-B