



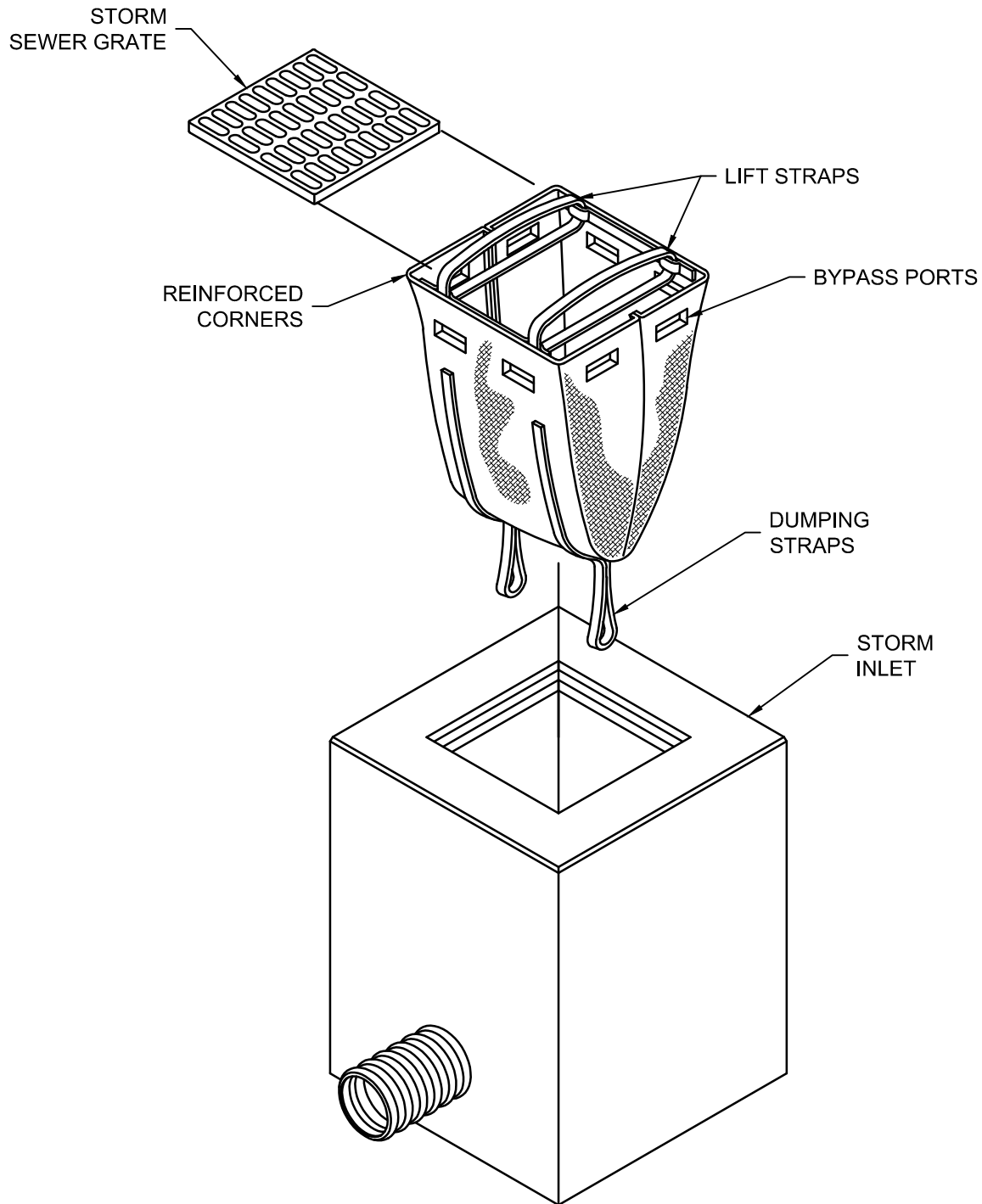
TEMPORARY INLET PROTECTION SEDIMENT CONTROL SACK

Created: January 11, 2012

Revised: January 19, 2017

Scale: N.T.S.

Approved: May 16, 2012



NOTES:

1. REMOVE INLET PROTECTION WHEN THE CONTRIBUTING DRAINAGE AREAS HAVE BEEN STABILIZED.