

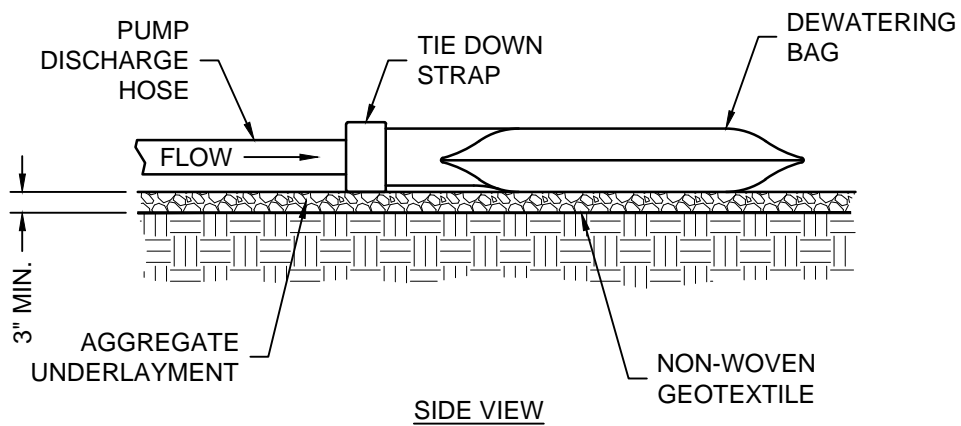
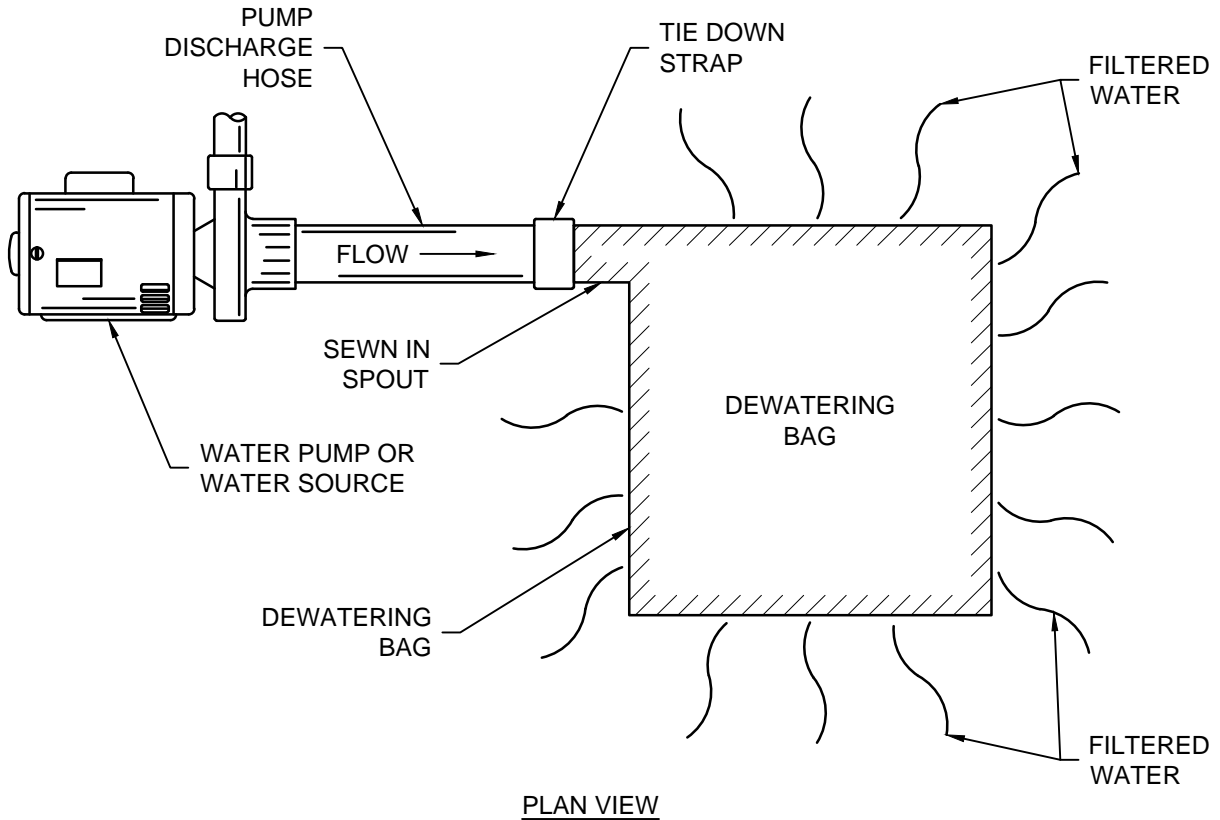


# TEMPORARY SEDIMENT CONTROL DEWATERING BAG

Created: January 13, 2012

Revised: January 19, 2017

Scale: N.T.S.



NOTES:

1. SEDIMENT CONTROL DEWATERING BAG MUST BE SIZED FOR THE PUMP DISCHARGE IT WILL SERVICE.
2. REMOVE DEWATERING BAG FROM SITE WHEN DEWATERING IS COMPLETE.