



SHALLOW SERVICE CONNECTION

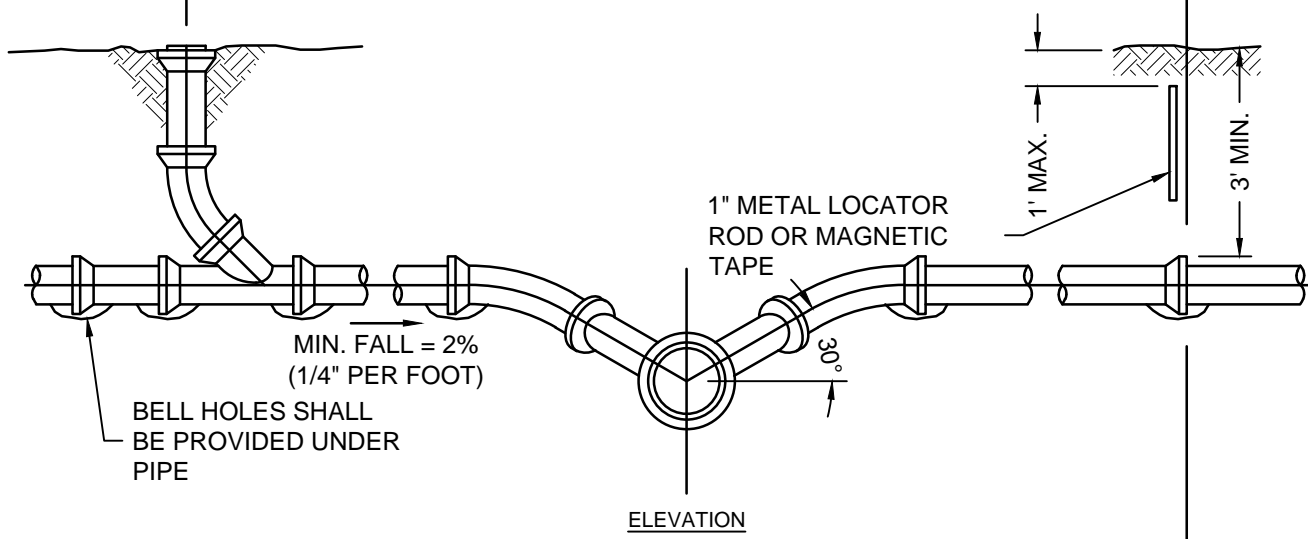
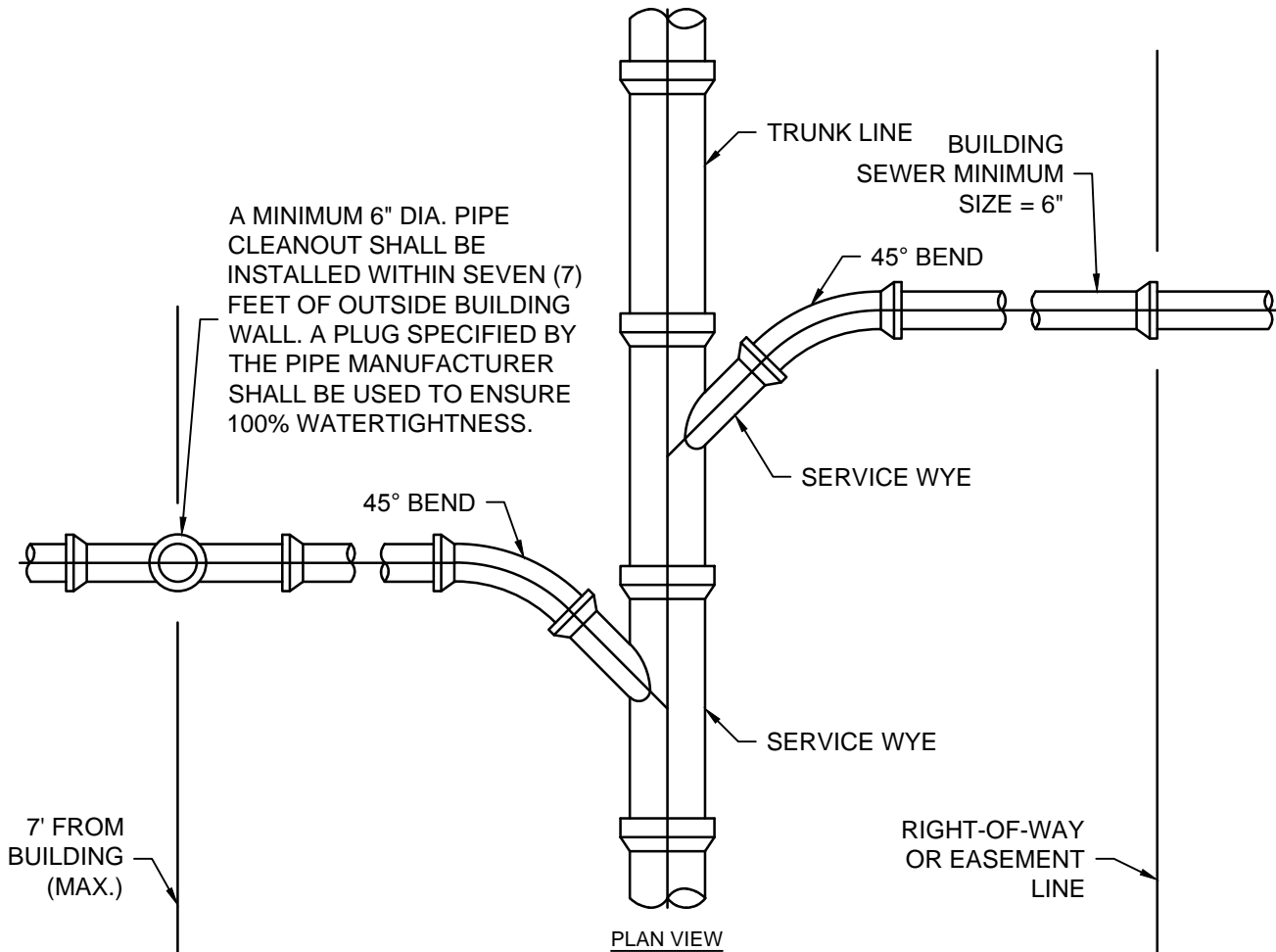
Created: January 1, 2002

Revised: February 28, 2018

Scale: N.T.S.

Approved: May 16, 2012

LESS THAN 15' DEEP



NOTES:

1. COMPACTION OF GRANULAR BACKFILL IS CRITICAL UNDER WYE AND BEND.
2. WYES SHALL BE USED FOR ALL MAINLINE PIPE LESS THAN 15" IN DIAMETER.