



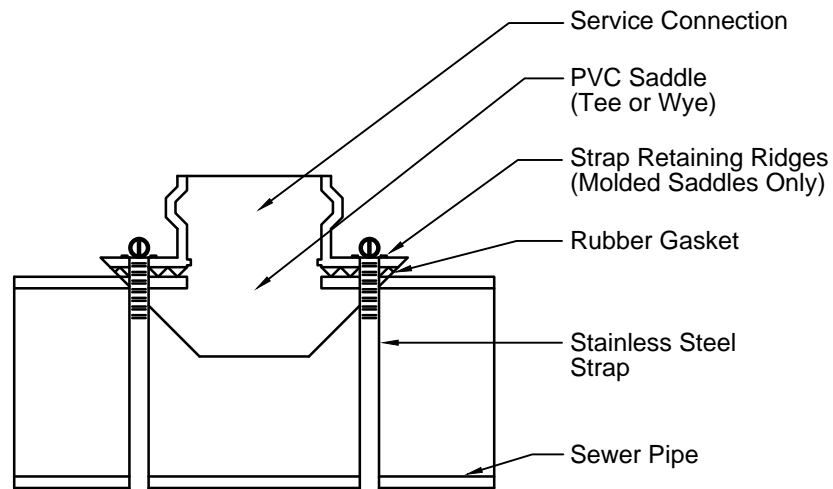
SADDLE CONNECTION

Created: January 1, 2002

Revised: January 25, 2017

Scale: N.T.S.

Pipes 15" and Larger



Saddle Installation

1. Place Saddle on Pipe in the Desired Location. Draw the Hole Size by Placing Marking Pencil Inside the Branch Opening and Marking Pipe.
2. Cut 1/4" Outside the Line. Remove Coupon from Inside of Pipe. Scrape any Burrs that Appear Around the Hole.
3. Place Saddle on Pipe to Assure that the Pipe Opening is Large Enough to Prevent Obstruction. Enlarge Hole as Necessary.