

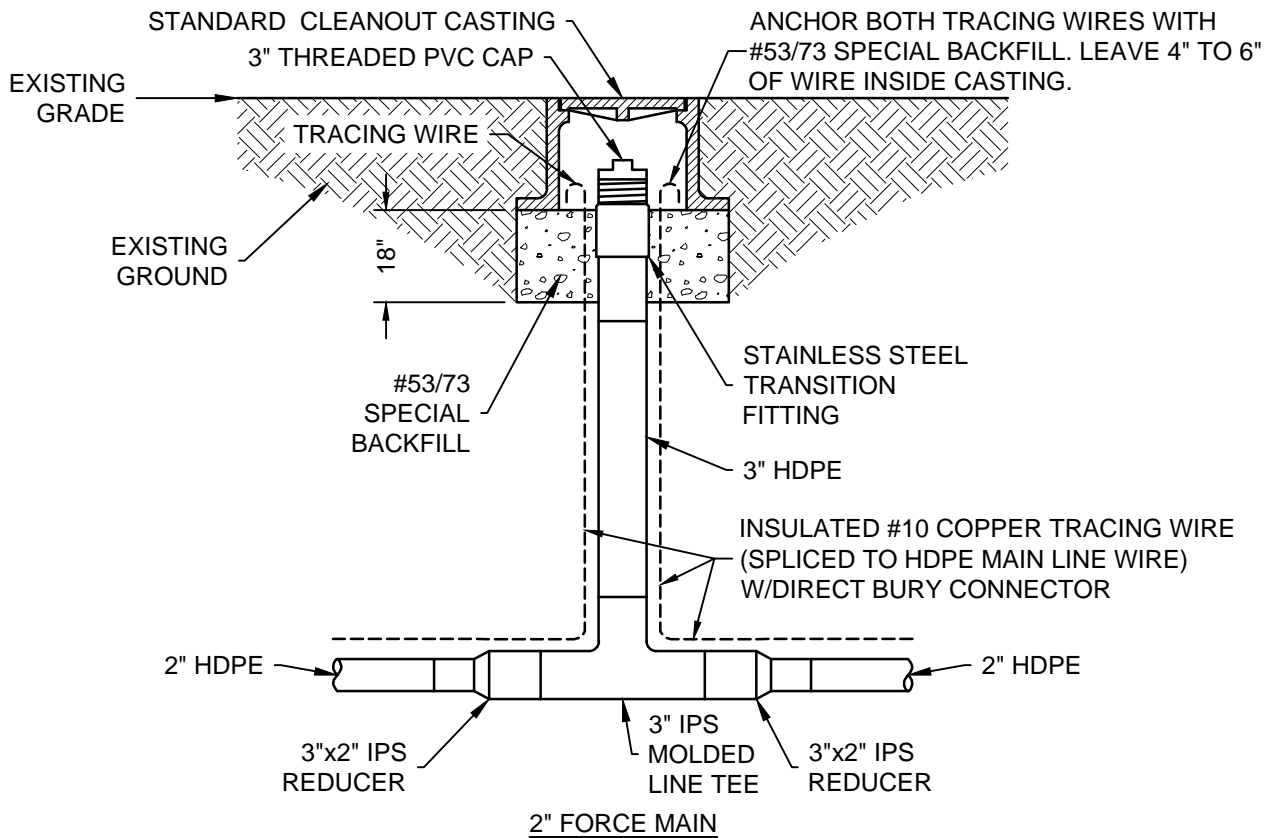
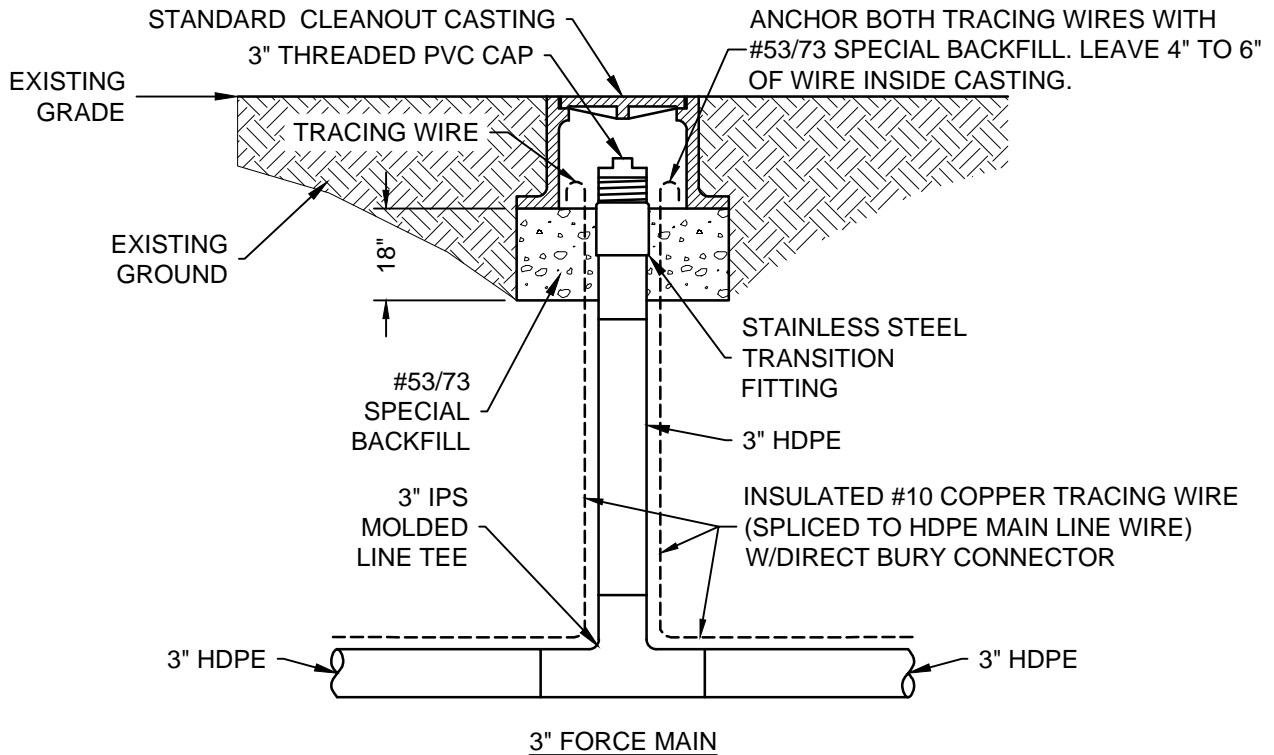


LOW PRESSURE FORCE MAIN CLEANOUT INLINE

Created: September 6, 2011

Revised: August 26, 2016

Scale: N.T.S.



NOTES:

1. INSTALL CASTING SO LID IS FLUSH TO FINAL GRADE
2. ALL CONNECTIONS SHALL BE MADE BY BUTT FUSION