



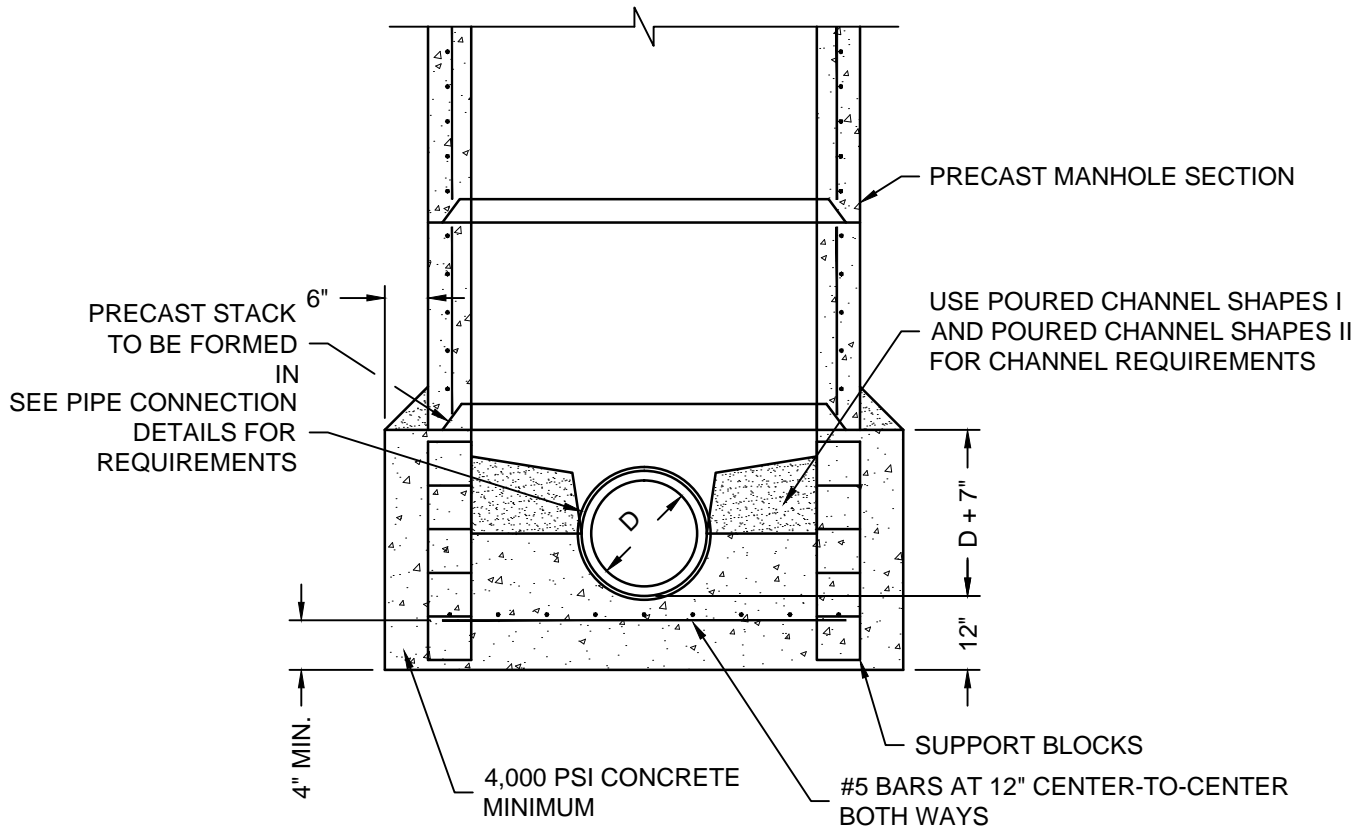
# POURED IN PLACE BASE - 48" AND LESS

Created: January 1, 2002

Revised: July 29, 2014

Scale: N.T.S.

Approved: May 16, 2012



**NOTES:**

1. BASE SECTION SHALL BE PLACED ON COMPACTED FRACTURE FACE STONE, 4" MINIMUM.

**JOINTS:**

1. SEE STANDARD 48" MANHOLE (SANITARY)