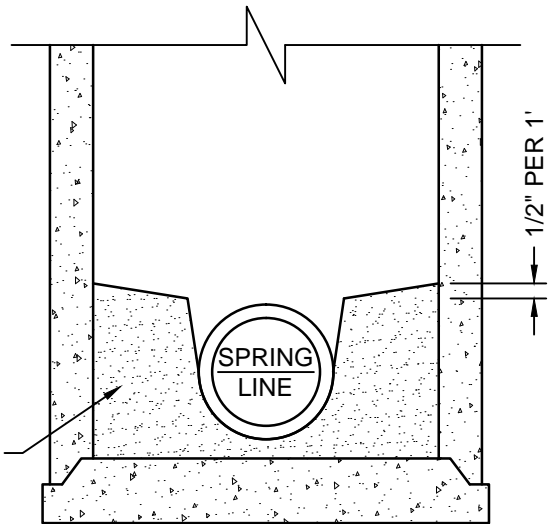
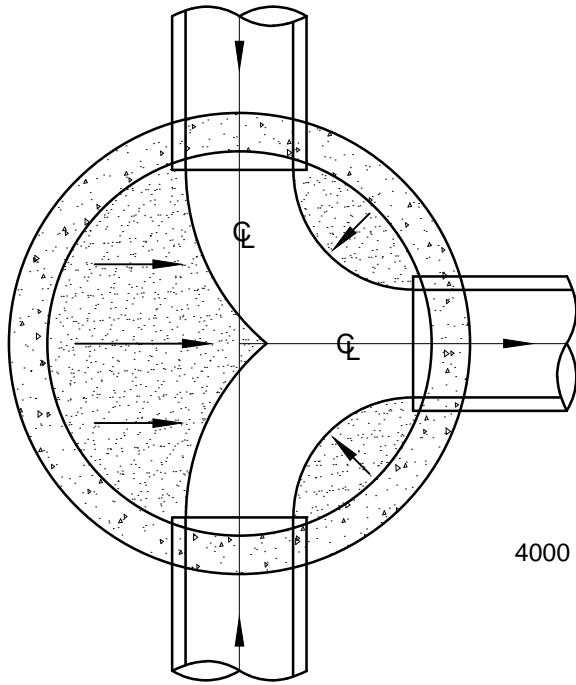


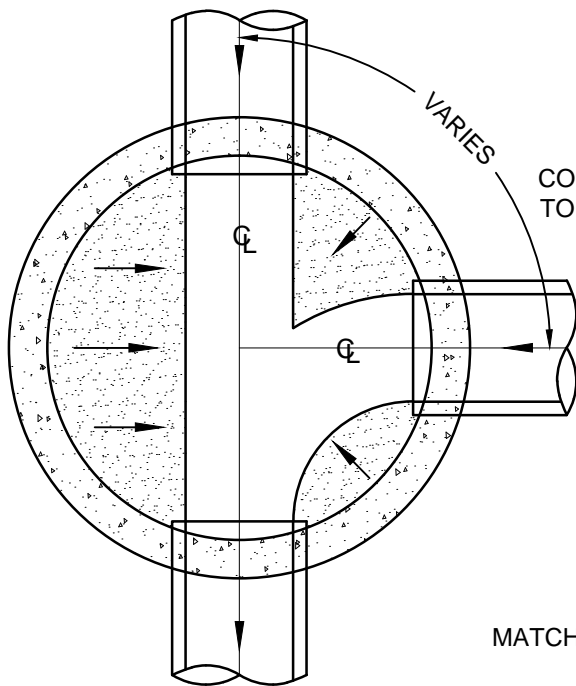


POURED CHANNEL SHAPES I

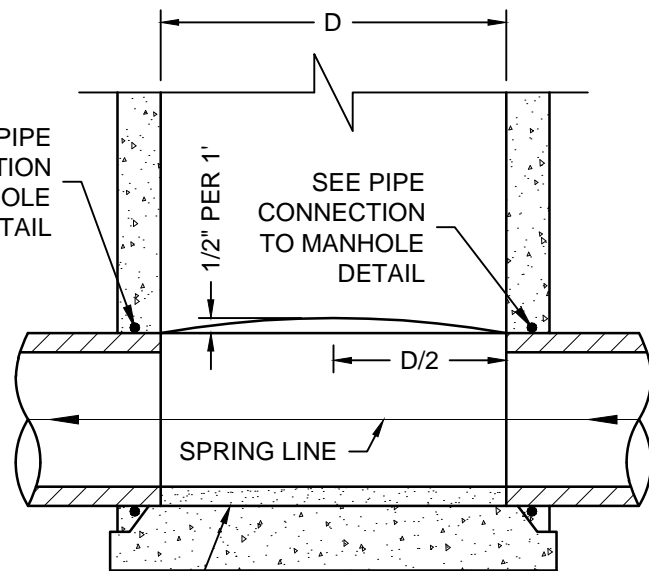


4000 PSI, MINIMUM
CONCRETE

DROP, END, OR STEP-UP MANHOLE



SEE PIPE
CONNECTION
TO MANHOLE
DETAIL



MATCH EXISTING GRADE
OF OUTLET PIPE

NOTES:

1. ϵ OF ALL PIPES TO INTERSECT ϵ OF MANHOLE. INVERTS TO BE POURED UNDER DRY PIPE CONDITIONS.
2. WHEN INCREASING PIPE DIAMETER BY 6" OR LESS, CROWN ELEVATIONS SHALL MATCH AT ϵ OF MANHOLE.
3. WHEN INCREASING PIPE DIAMETER BY MORE THAN 6", SPRING LINES SHALL MATCH AT ϵ OF MANHOLE.