



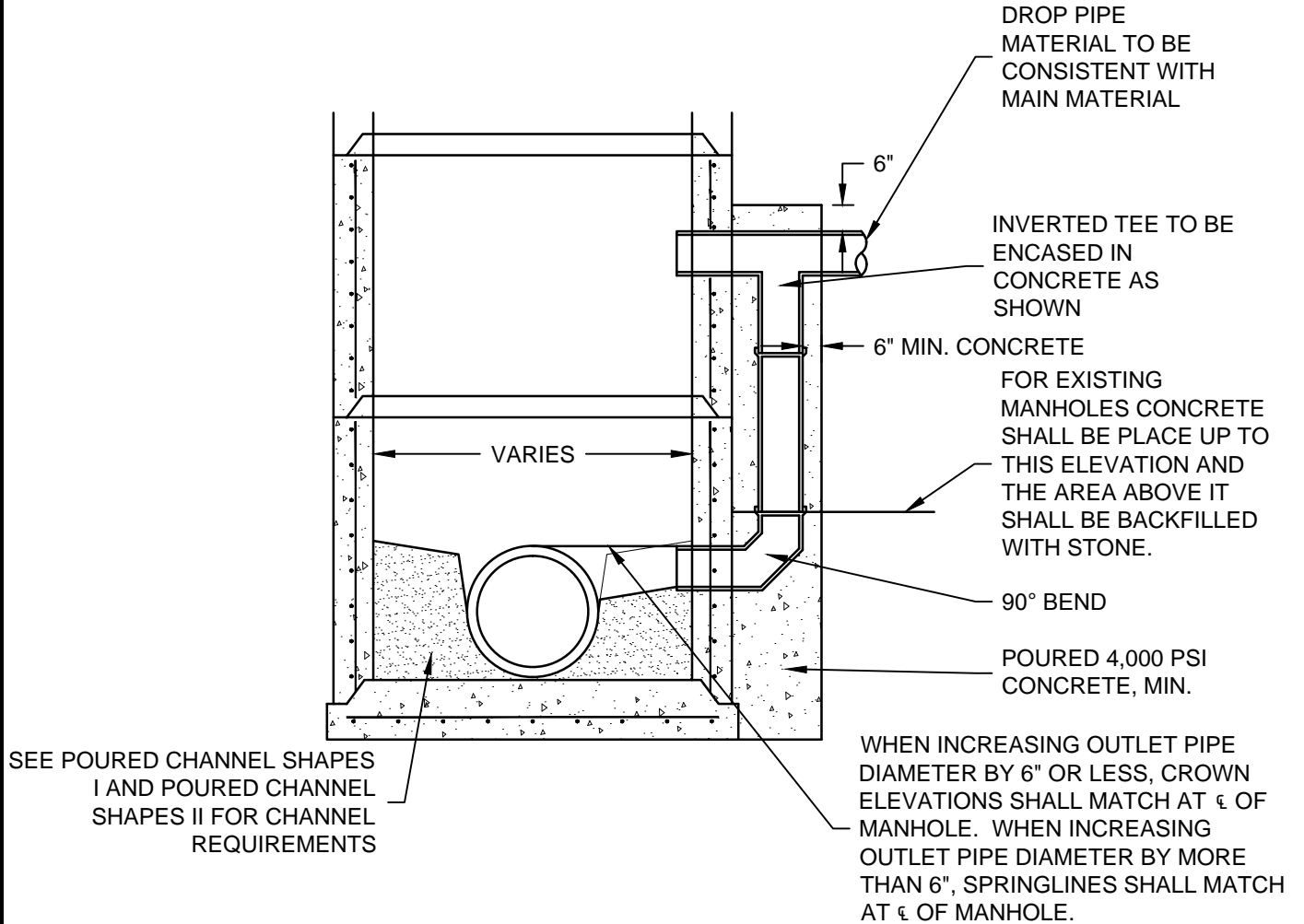
# DROP CONNECTION FOR MANHOLES - OUTSIDE

Created: January 1, 2002

Revised: November 24, 2014

Scale: N.T.S.

Approved: May 16, 2012



**NOTES:**

1. DROP PIPE SHALL BE A MINIMUM OF 8" FOR 8" TO 12" DIAMETER MAINLINE PIPE AND 12" DROP PIPE FOR ALL LARGER MAINLINE PIPES UNLESS OTHERWISE SPECIFIED.
2. GENERAL CONSTRUCTION REQUIREMENTS SAME AS STANDARD 48" MANHOLE.