

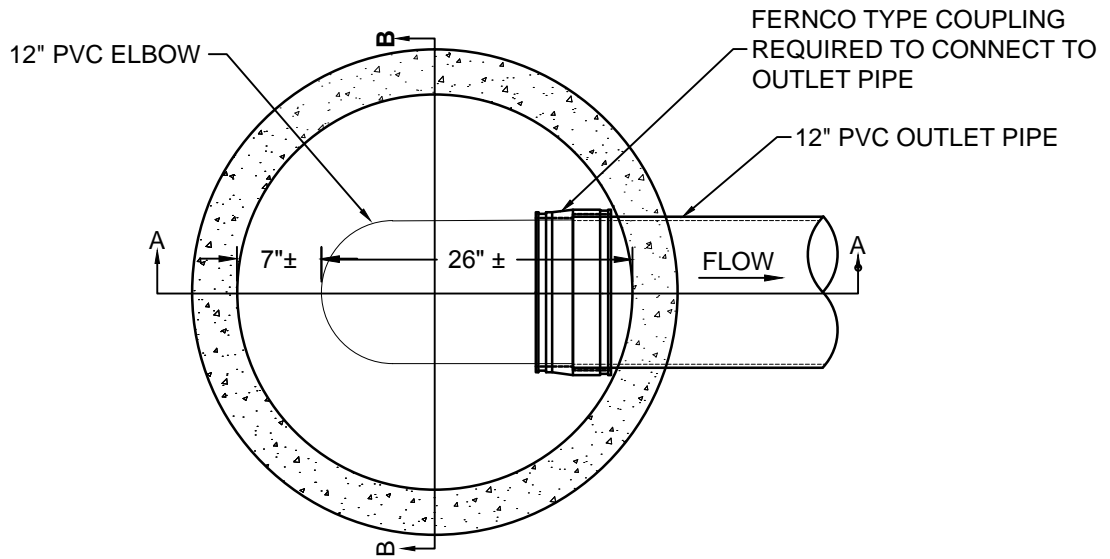


33" CATCH BASIN - PVC/DI TO PVC CONNECTION

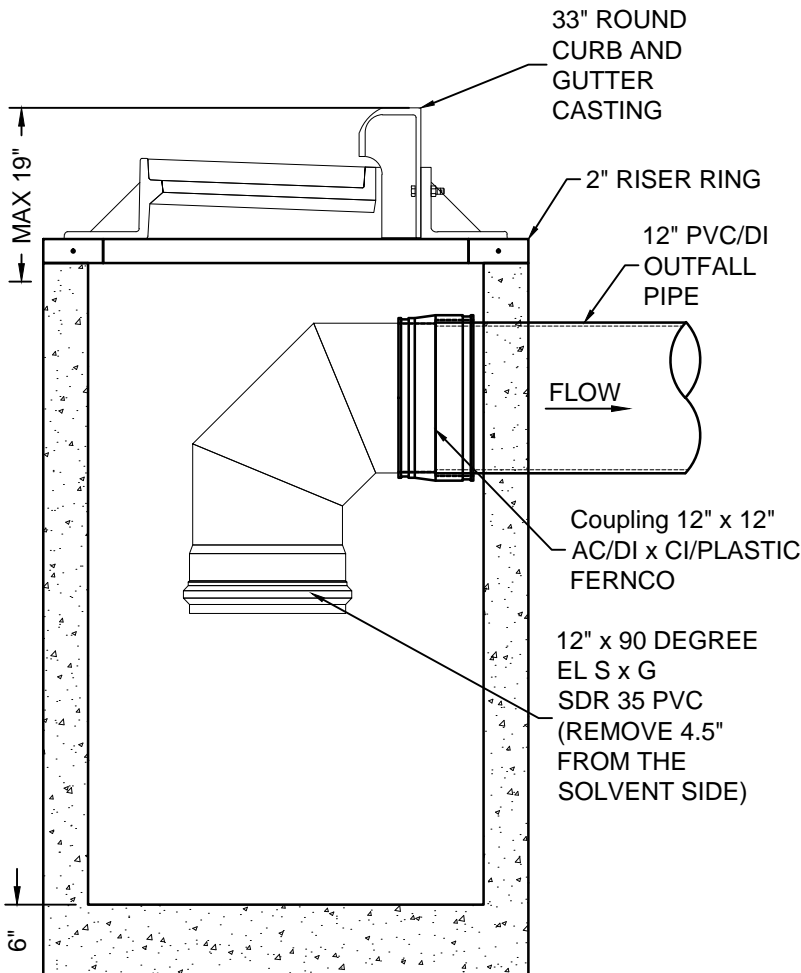
Created: September 6, 2011

Revised: October 23, 2015

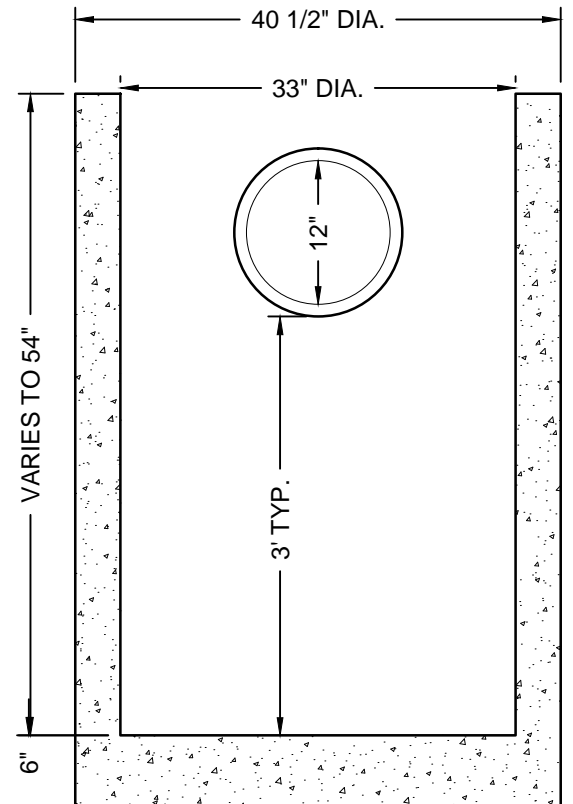
Scale: N.T.S.



PLAN VIEW



SECTION VIEW A-A



SECTION VIEW B-B