

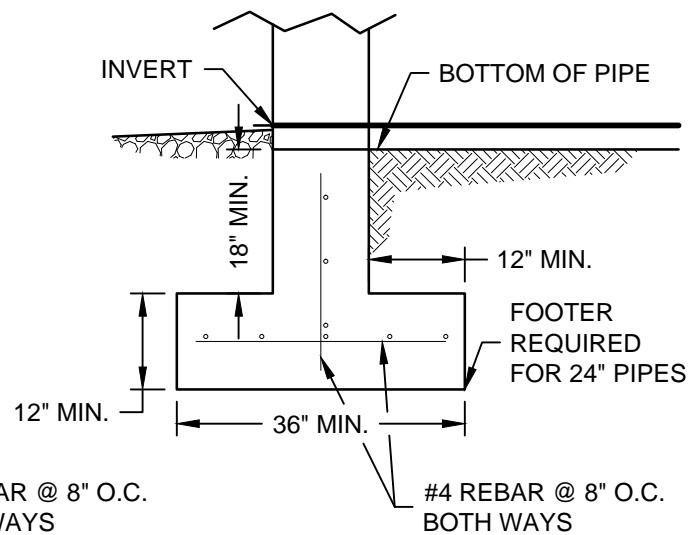
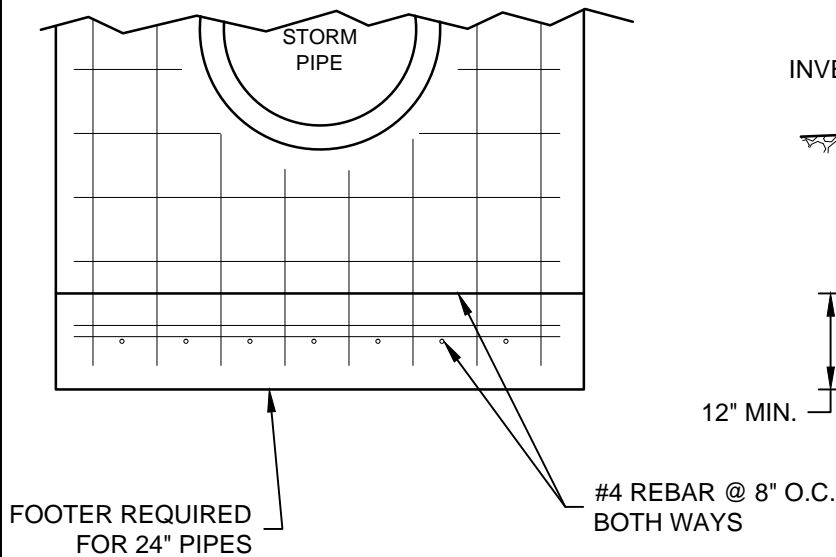
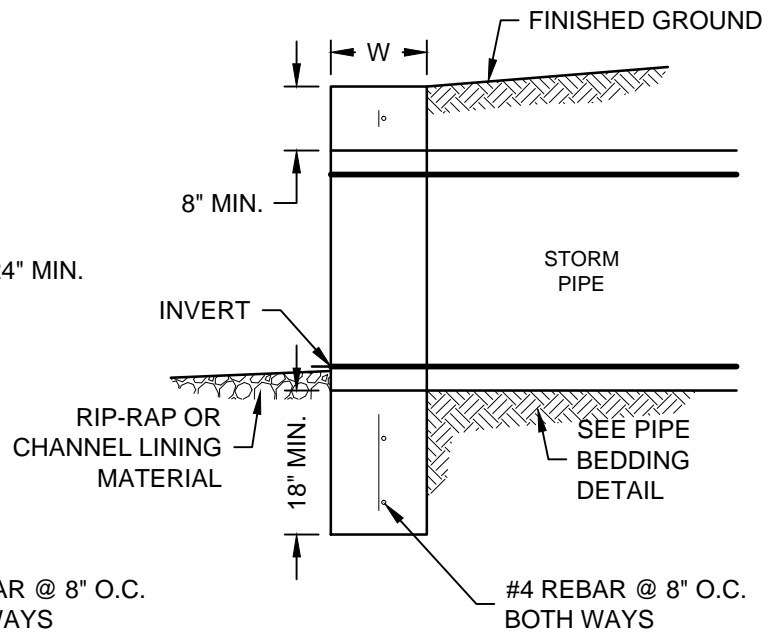
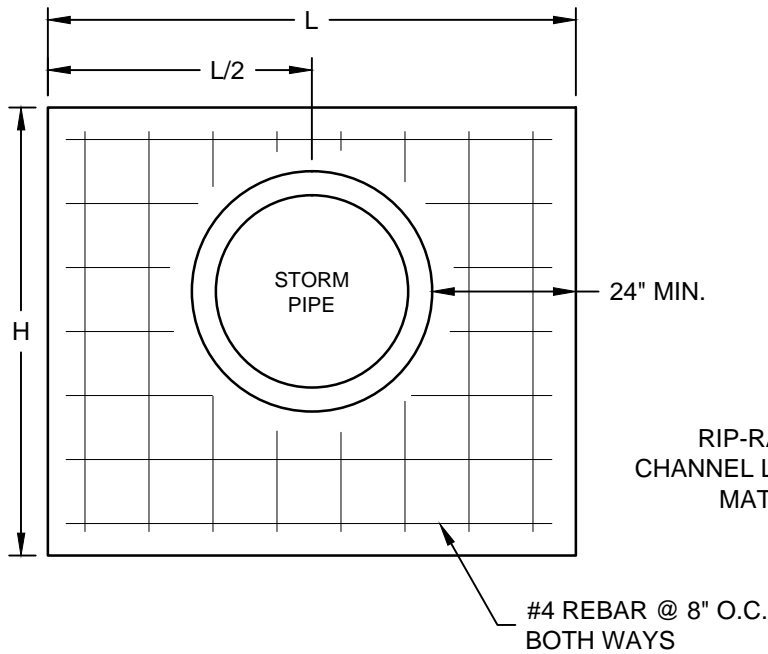


CONCRETE HEADWALL FOR 12"-24" PIPE

Created: December 6, 2012

Revised: October 23, 2015

Scale: N.T.S.



NOTES:

- L=LENGTH (VARIES AS SPECIFIED ON PLANS)
- W=WIDTH (VARIES AS SPECIFIED ON PLANS)
- H=HEIGHT (VARIES AS SPECIFIED ON PLANS)

- REBAR SHALL NOT COME CLOSER THAN 3 INCHES FROM ANY FACE OF THE CONCRETE.