



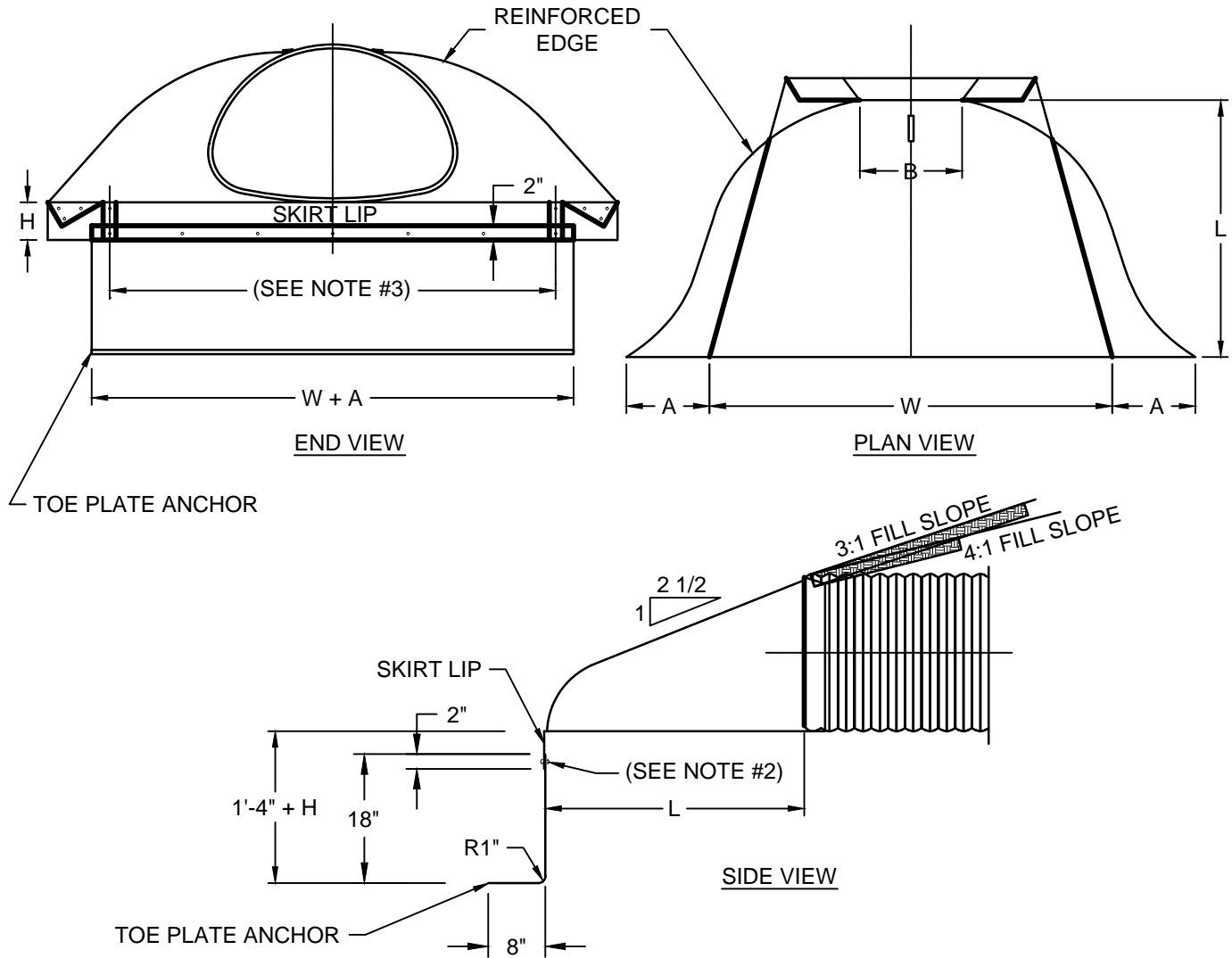
METAL PIPE ARCH END SECTION

Created: February 22, 2012

Revised: October 14, 2015

Scale: N.T.S.

Approved: May 22, 2015



PIPE-ARCH DIMENSIONS		END SECTION THICK. (in.)	DIMENSIONS					APPROX. SLOPE	BODY
SPAN	RISE		A (±1")	B (MAX.)	H (±1")	L (±1 1/2")	W (±2")		
17	13	0.064	7	9	6	19	30	2 1/2 : 1	1 Pc.
21	15	0.064	7	10	6	23	36	2 1/2 : 1	1 Pc.
24	18	0.064	8	12	6	28	42	2 1/2 : 1	1 Pc.
28	20	0.064	9	14	6	32	48	2 1/2 : 1	1 Pc.
35	24	0.079	10	16	8	39	60	2 1/2 : 1	1 Pc.
42	29	0.079	12	18	9	46	75	2 1/2 : 1	1 Pc.

NOTES:

- TOE PLATE ANCHOR= 0.138 INCH THICK.
- CONNECTION BOLTS= 3/8 INCH DIAMETER GALVANIZED.
- SPACE TOE PLATE AND SKIRT LIP CONNECTION BOLTS 12" CENTER TO CENTER MAX.