



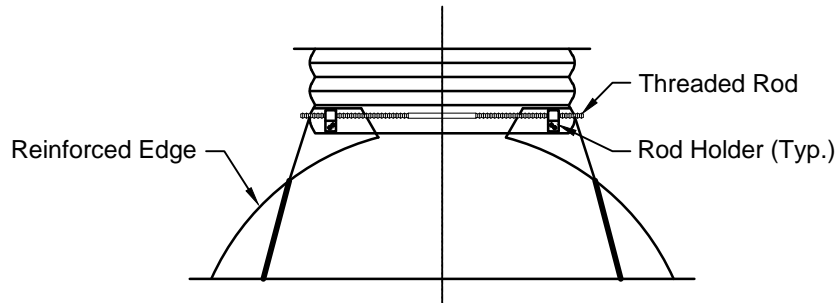
METAL PIPE END SECTION CONNECTIONS

Created: February 22, 2012

Revised: October 14, 2015

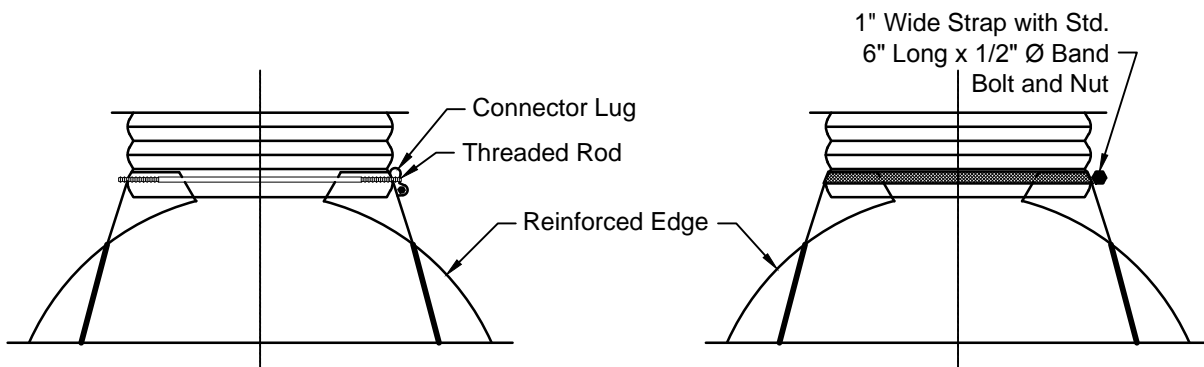
Scale: N.T.S.

Approved: May 19, 2015



TYPE 1

For pipe-arch 17" x 13" through 42" x 29" only

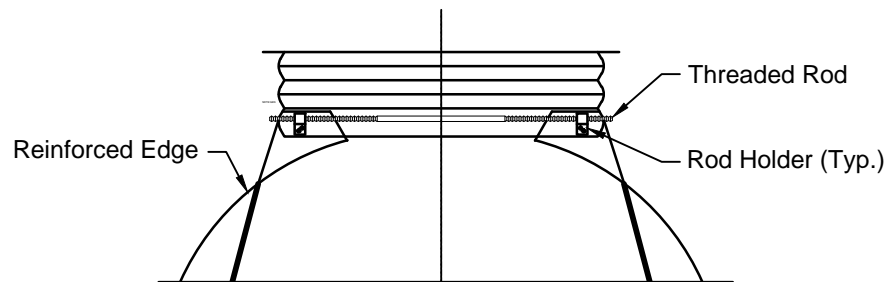


TYPE 3

For circular pipe diameter 12" through 24" only.

TYPE 3 - ALTERNATE

For circular pipe, diameter 12" through 24" only.



TYPE 4

For circular pipe, diameter 30" through 36" only.