



PRECAST CONCRETE END SECTION

Created: February 22, 2012

Revised: October 14, 2015

Scale: N.T.S.

Approved: May 19, 2015

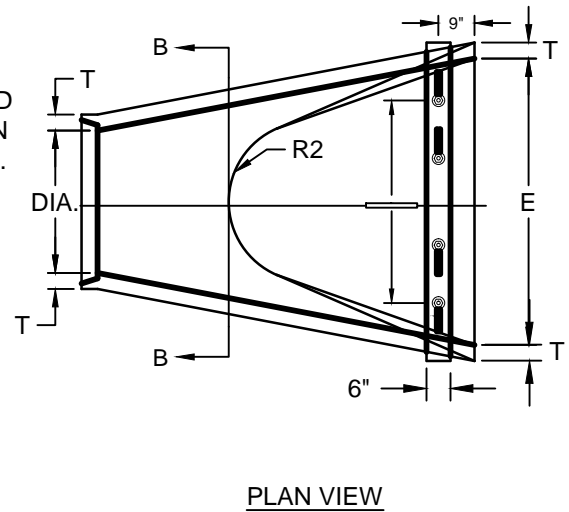
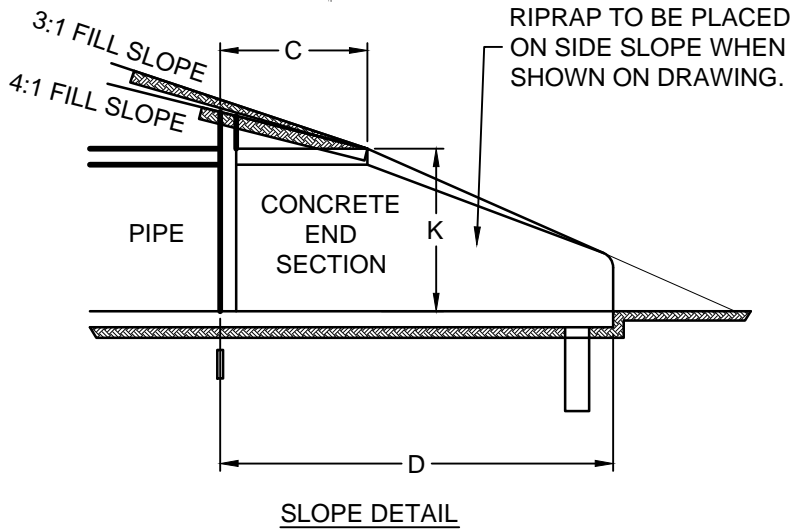
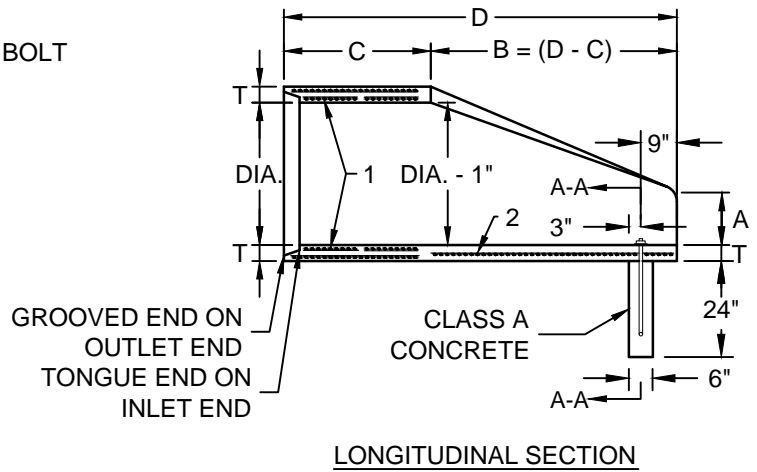
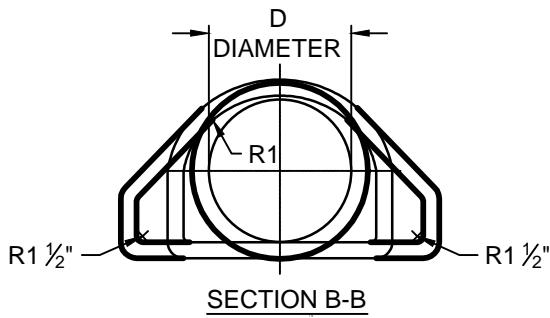
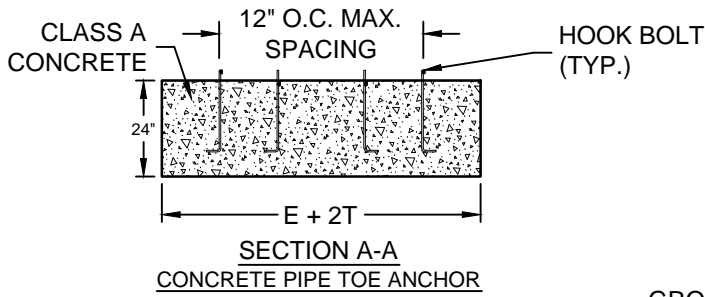


TABLE OF DIMENSIONS

DIA. (in.)	T (min.)	A (±1")	C (±1")	D (±1")	E (±1")	K	R1	R2	APPROX. WEIGHT, lb.
12"	2"	5"	4'-3"	6'-2"	2'-0"	10 1/8"	10 1/8"	9"	800
15"	2 1/4"	7"	4'-0"	6'-3"	2'-6"	12 1/2"	12 1/2"	11"	1100
18"	2 1/2"	11"	4'-1"	6'-2"	3'-0"	15 1/2"	15 1/2"	12"	1300
21"	2 3/4"	11"	3'-6"	6'-3"	3'-6"	16 1/8"	16 1/8"	13"	1500
24"	3"	1'	2'-8"	6'-3"	4'-0"	16 3/16"	16 3/16"	14"	1800
27"	3 1/4"	1'-1"	2'-5"	6'-3"	4'-6"	18 9/16"	18 9/16"	14 1/2"	2100
30"	3 1/2"	1'-2"	1'-10"	6'-3"	5'-0"	18 1/2"	18 1/2"	15"	2400
33"	3 3/4"	1'-3"	3'-6"	8'-3"	5'-6"	23 3/4"	23 3/4"	17 1/2"	4200
36"	4"	1'-5"	3'-1"	8'-3"	6'-0"	24 5/16"	24 5/16"	20"	4200