



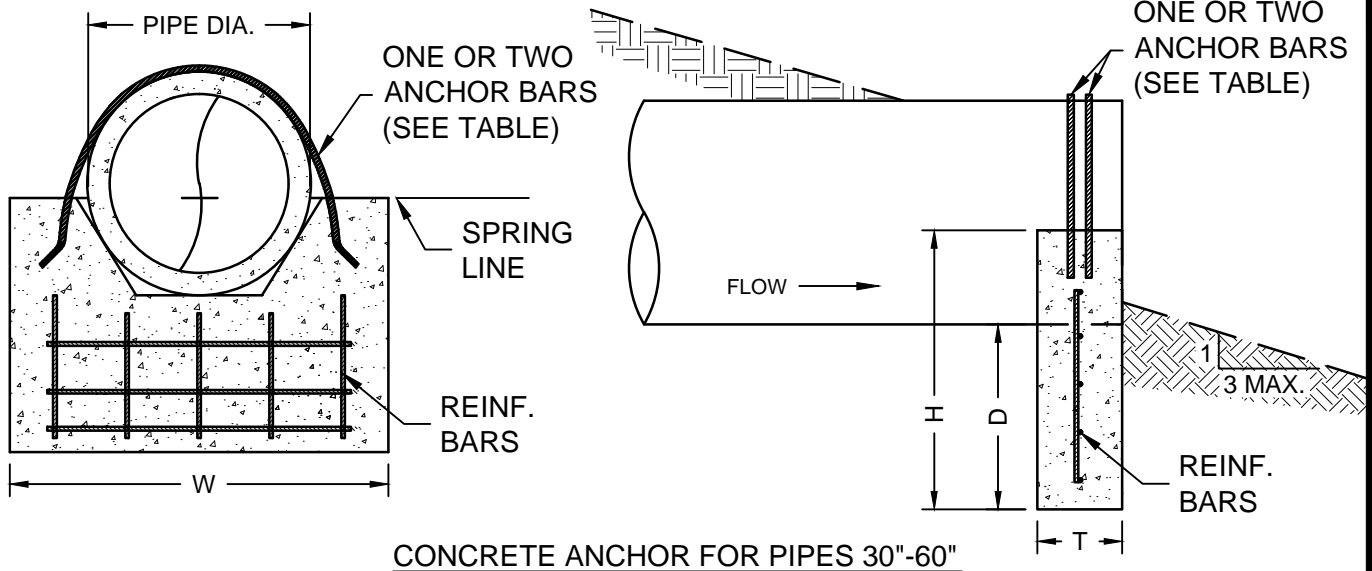
CONCRETE ANCHOR FOR PIPE END

Created: March 25, 2011

Revised: October 14, 2015

Scale: N.T.S.

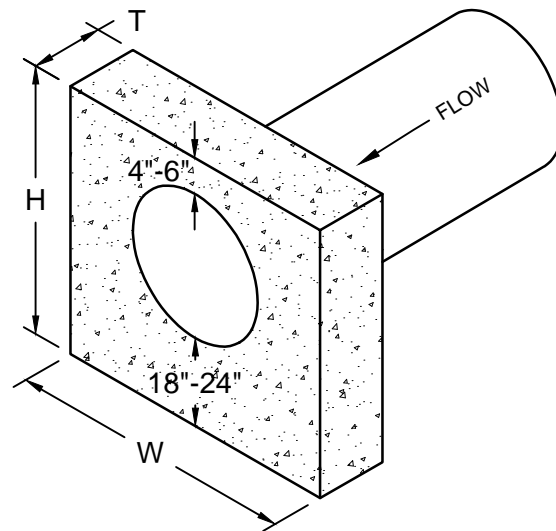
Approved: May 29, 2015



FRONT VIEW

SIDE VIEW

CONCRETE ANCHOR FOR PIPES 30"-60"



CONCRETE ANCHOR FOR PIPES 12"-24"

PIPE DIA. (in.)	H (in.)	W (in.)	T (in.)	D min (in.)	ANCHOR BAR	REINF. BARS
12	34	36	12	24	1 - #4	#4 @ 12" O.C.
15	38	36	12	24	1 - #4	#4 @ 12" O.C.
18	40	42	12	24	1 - #5	#4 @ 12" O.C.
24	46	48	12	24	1 - #5	#4 @ 12" O.C.
30	36	54	18	30	2 - #4	#4 @ 12" O.C.
36	42	60	18	30	2 - #4	#4 @ 12" O.C.
42	48	72	24	36	2 - #5	#4 @ 12" O.C.
48	54	84	24	36	2 - #5	#4 @ 12" O.C.
54	66	90	30	42	2 - #5	#4 @ 12" O.C.
60	78	96	30	42	2 - #5	#4 @ 12" O.C.