



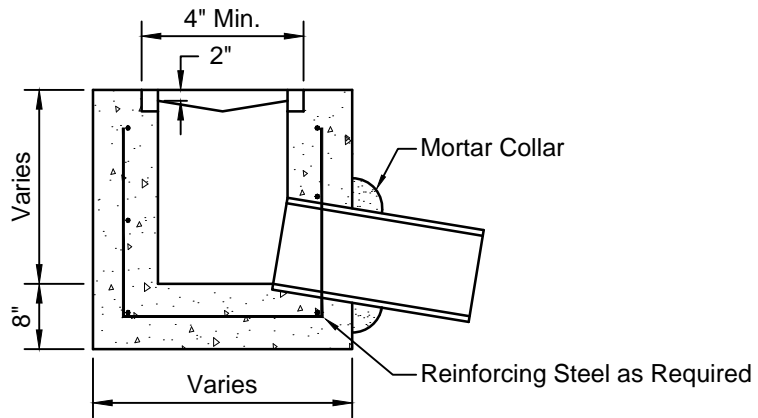
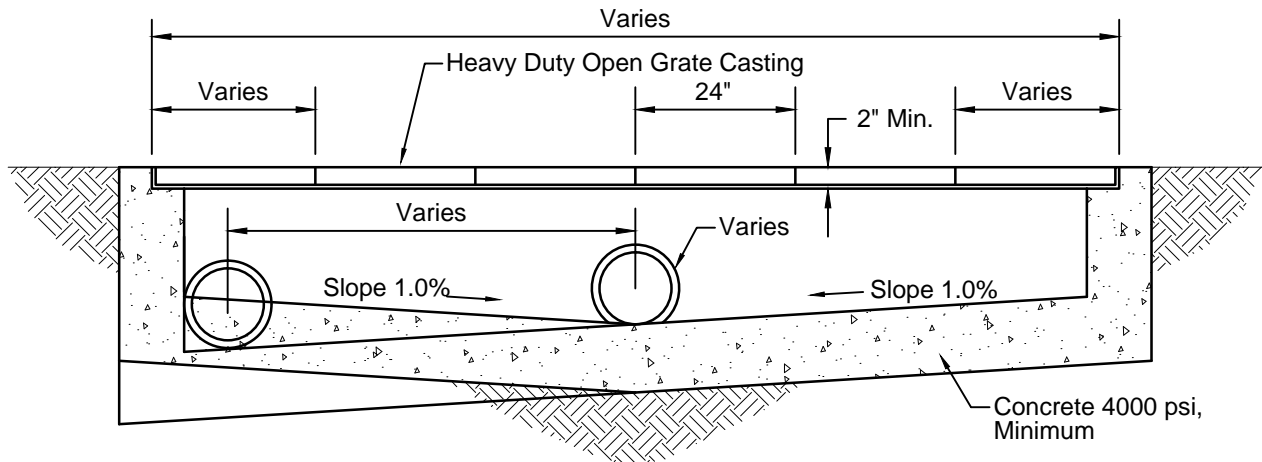
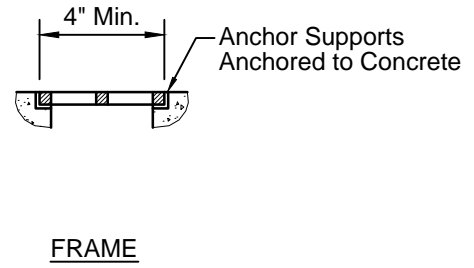
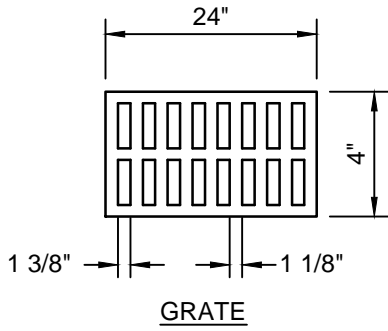
TRENCH DRAIN I

Created: January 1, 2002

Revised: August 5, 2014

Scale: N.T.S.

Approved: May 16, 2012



NOTES:

Trench Drains Shall be Engineered
per Manufacturer's Specifications.