



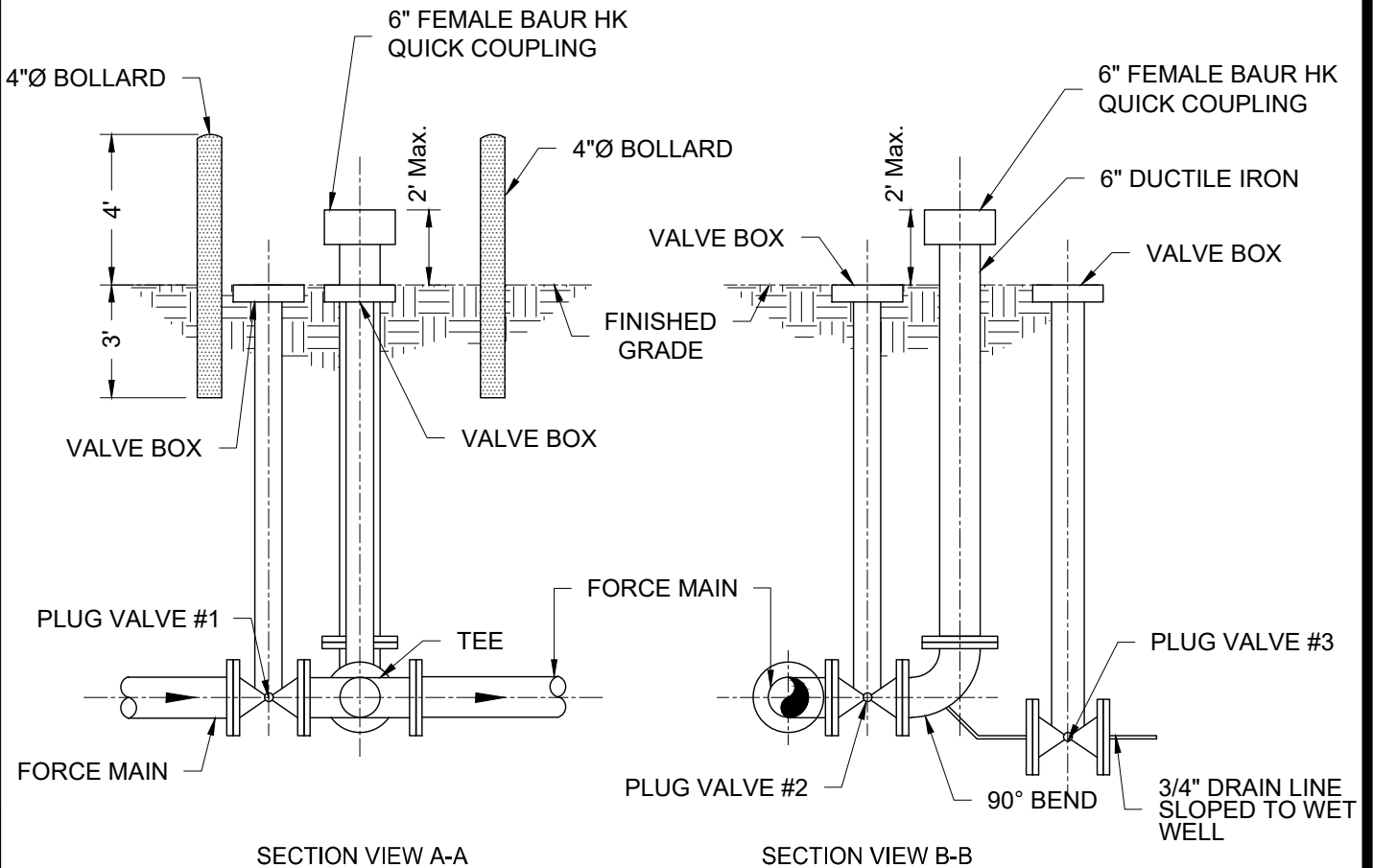
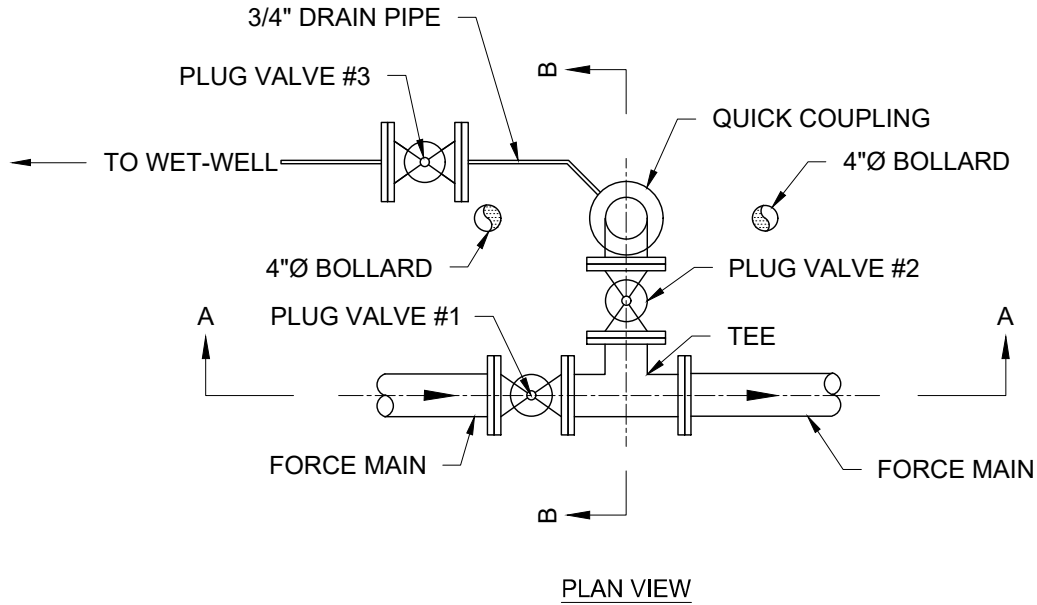
LIFT STATION BY-PASS (PORTABLE PUMP CONNECTION)

Created: January 5, 2015

Revised: May 3, 2021

Scale: N.T.S.

Approved: May 22, 2015



NOTES:

1. VALVE BOX SHALL READ "SEWER"
2. ALL BOLLARDS AND PIPING ABOVE GRADE SHALL BE PAINTED SAFETY YELLOW.