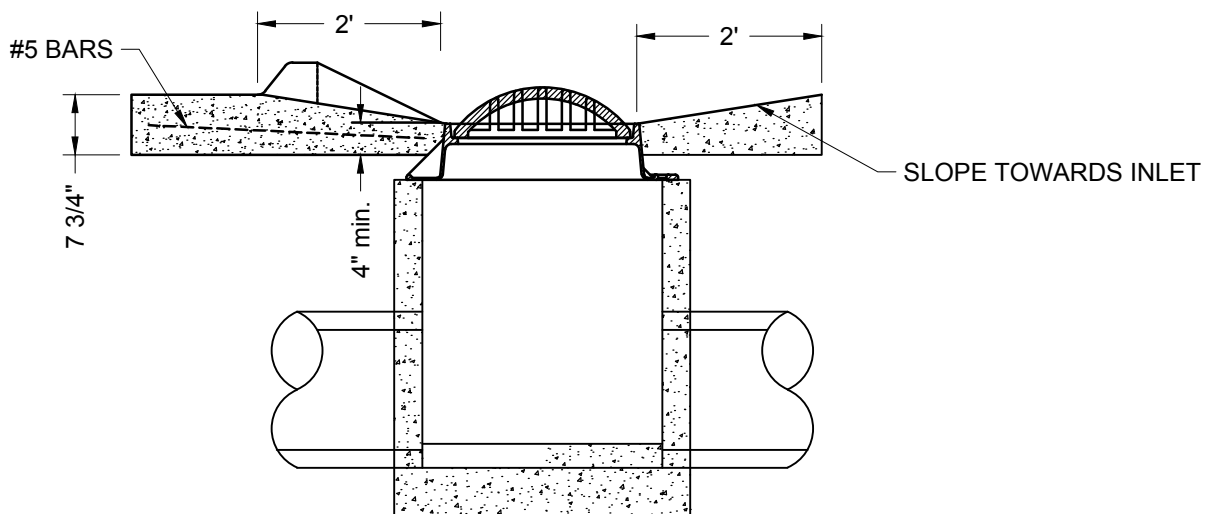
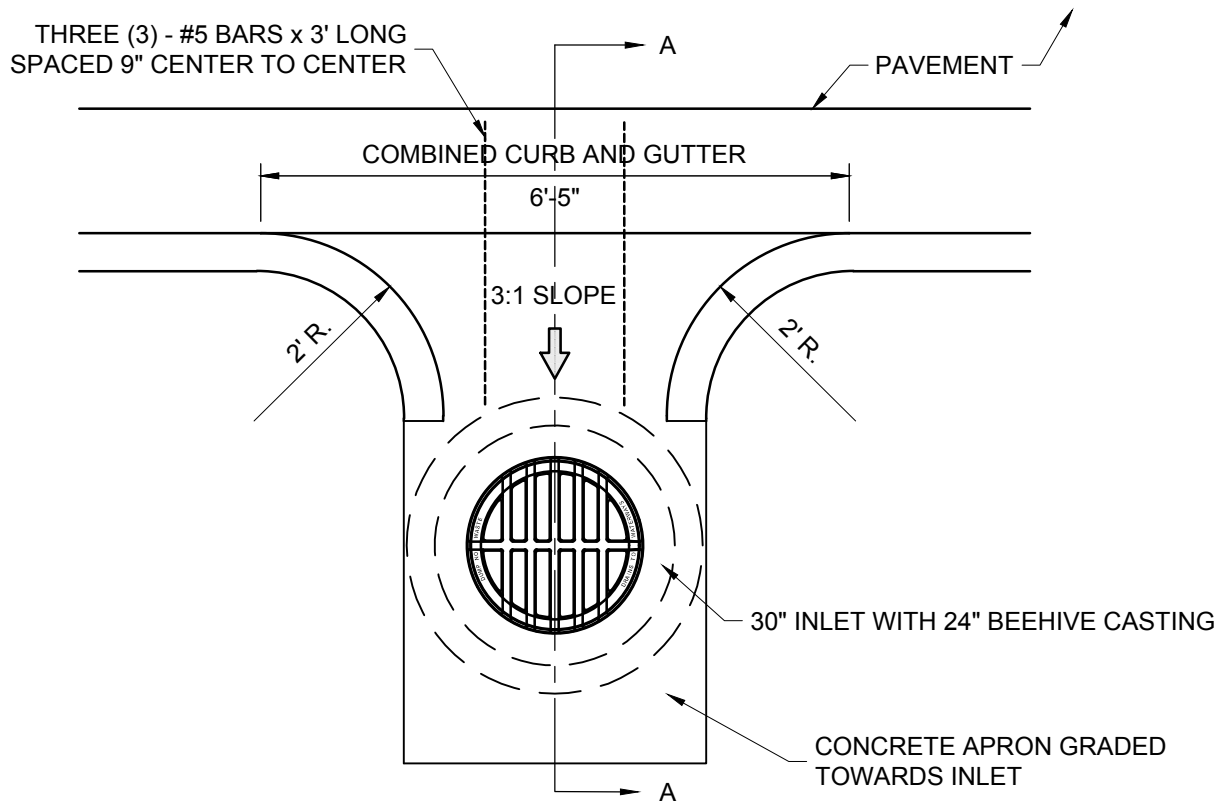


CURB TURNOUT TO INLET

Created: November 5, 2020

Revised: July 17, 2023

Scale: N.T.S.



SECTION A-A