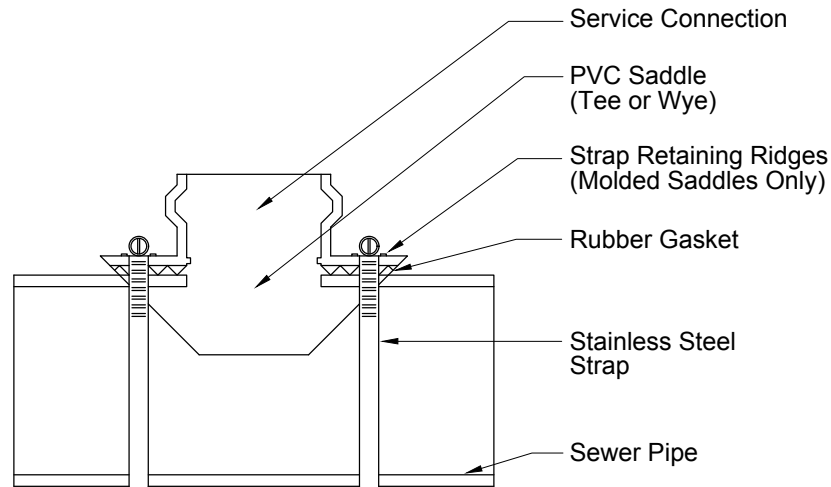


Pipes 15" and Larger



Saddle Installation

1. Place Saddle on Pipe in the Desired Location. Draw the Hole Size by Placing Marking Pencil Inside the Branch Opening and Marking Pipe.
2. Cut 1/4" Outside the Line. Remove Coupon from Inside of Pipe. Scrape any Burrs that Appear Around the Hole.
3. Place Saddle on Pipe to Assure that the Pipe Opening is Large Enough to Prevent Obstruction. Enlarge Hole as Necessary.
4. Ensure to not over-tighten saddle, to cause damage to the mainline pipe, but tighten the saddle enough to not allow the saddle to move during backfilling.
5. Saddle to only be used on any size CIPP lined pipe or RCP Mainline Pipe 15" and larger, unless additional approval is granted by City.